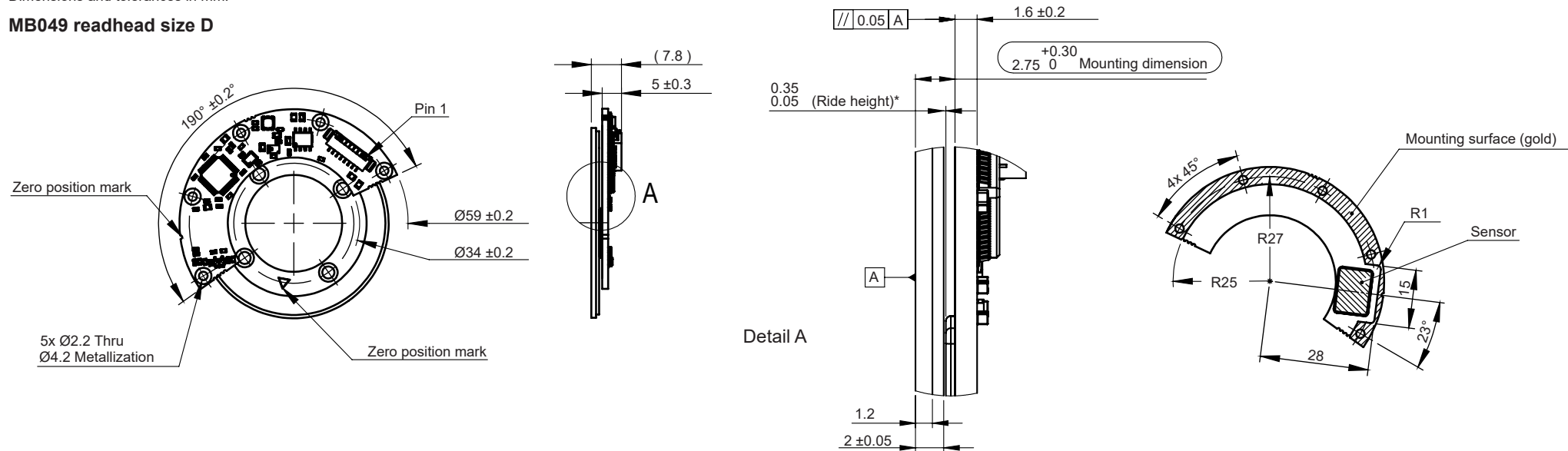


## Dimensions and installation drawings

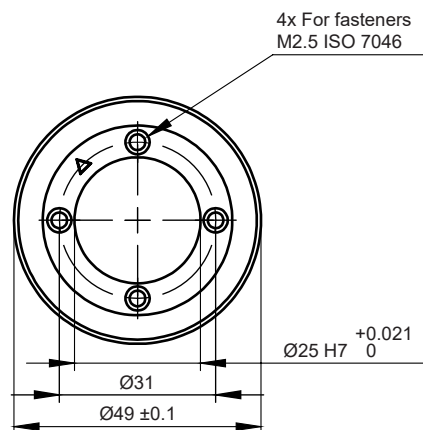
Dimensions and tolerances in mm.

### MB049 readhead size D

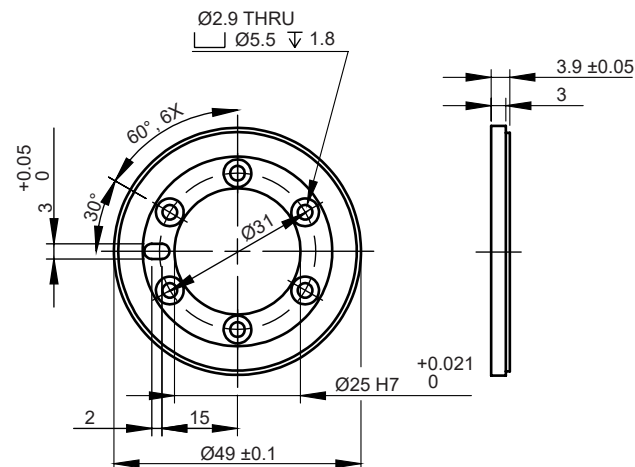


\* Note: Air gap influences noise on the output. See pages 13 and 17 for details.

### MRA049BC025DSE00 ring



### MRA049AF025EMH00 ring



### MRA049BG034DSN00 ring

