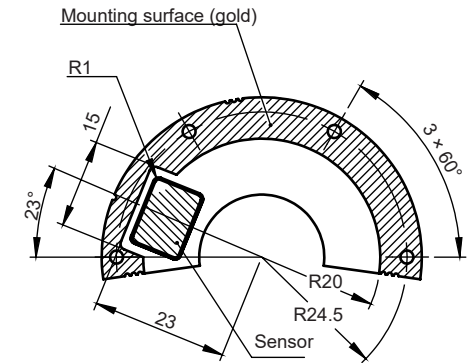
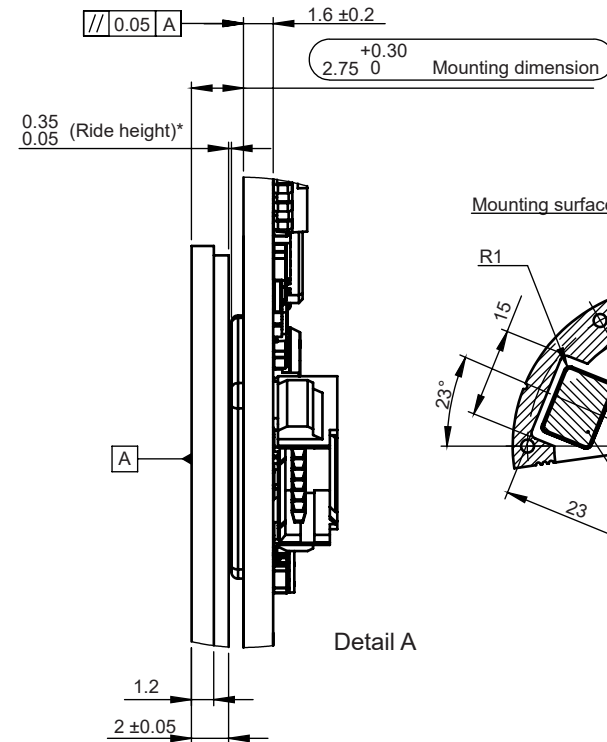
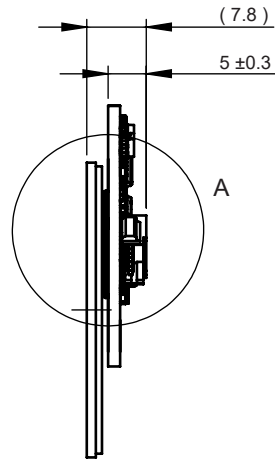
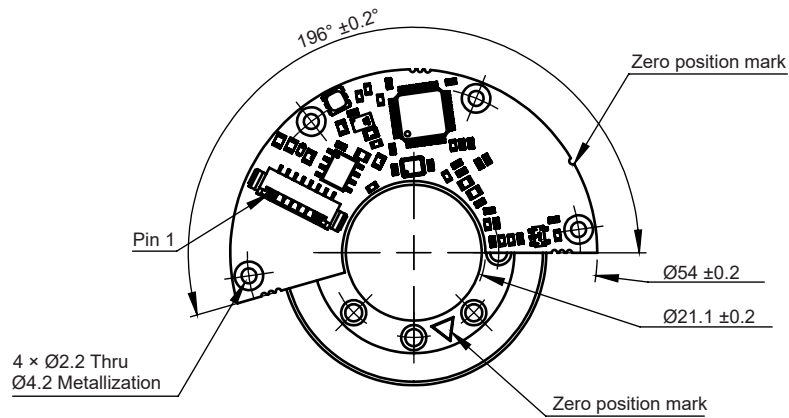


Dimensions and installation drawings

Dimensions and tolerances in mm.

MB039 readhead



* Note: Air gap influences noise on the output. See pages 13 and 17 for details.

MRA039BC020DSE00 ring

