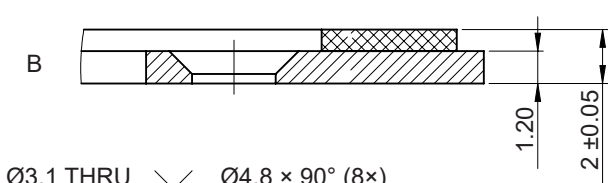
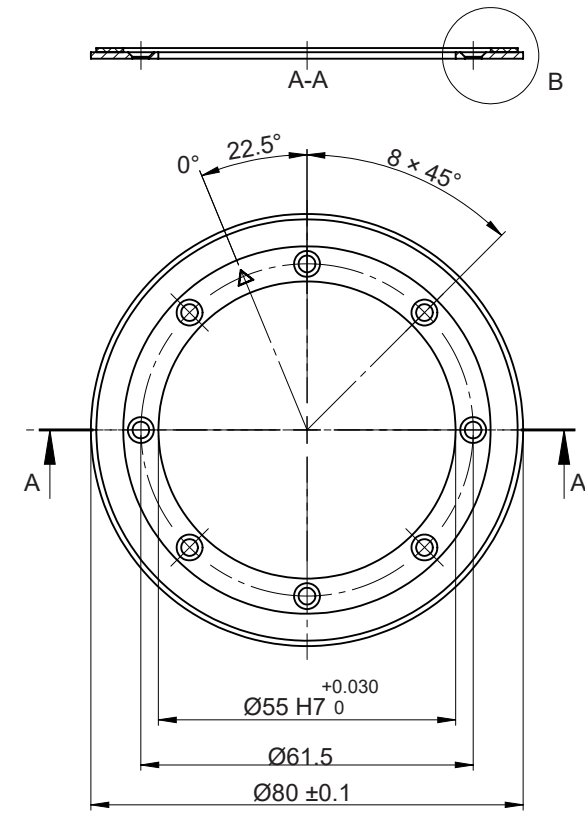
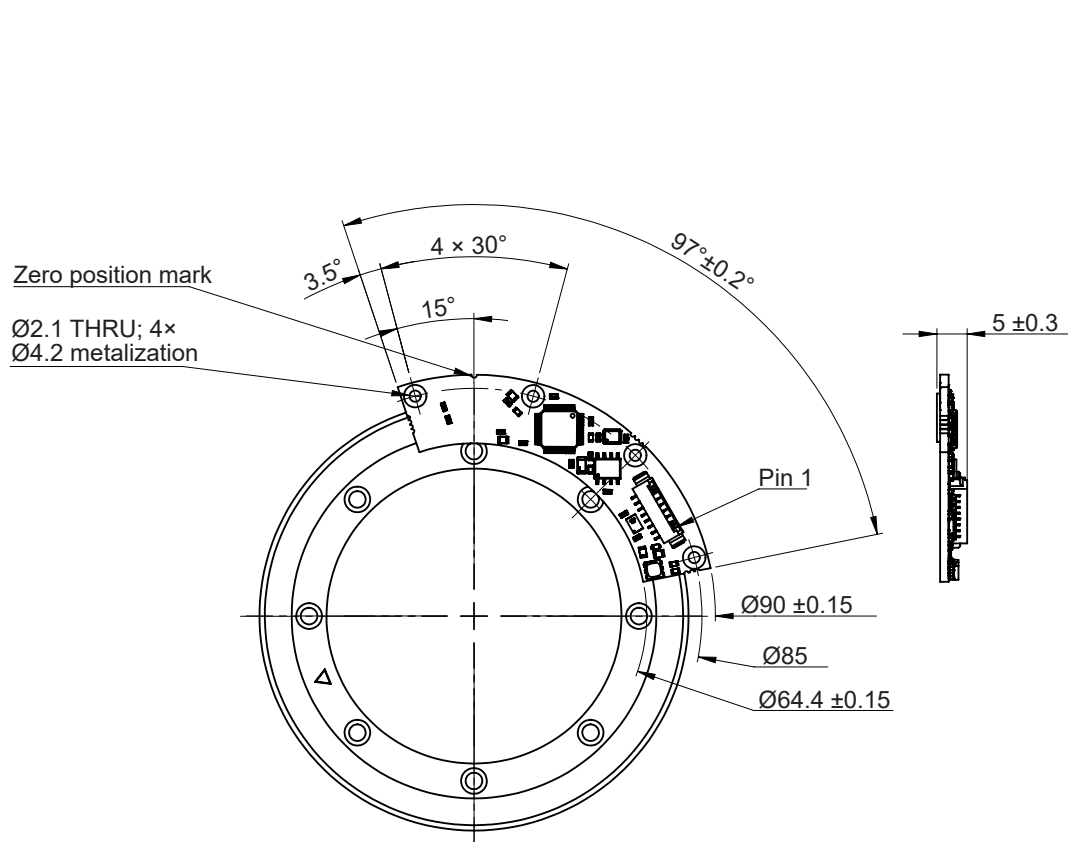


Dimensions MB080 readhead with MRA080 ring



Dimensions and tolerances in mm.



Ø3.1 THRU Ø4.8 x 90° (8x)
For fastener M2.5 ISO 7046