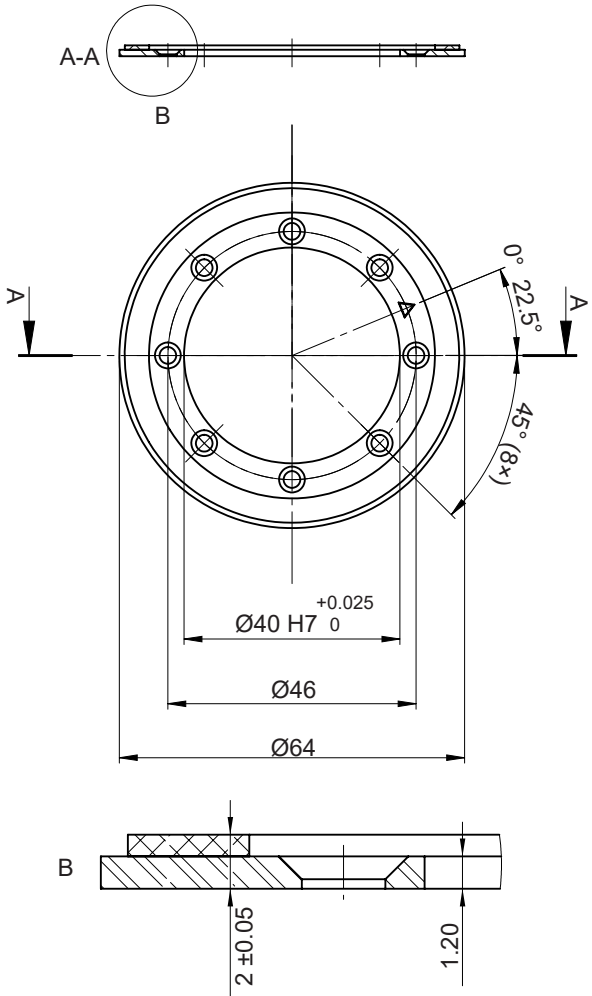
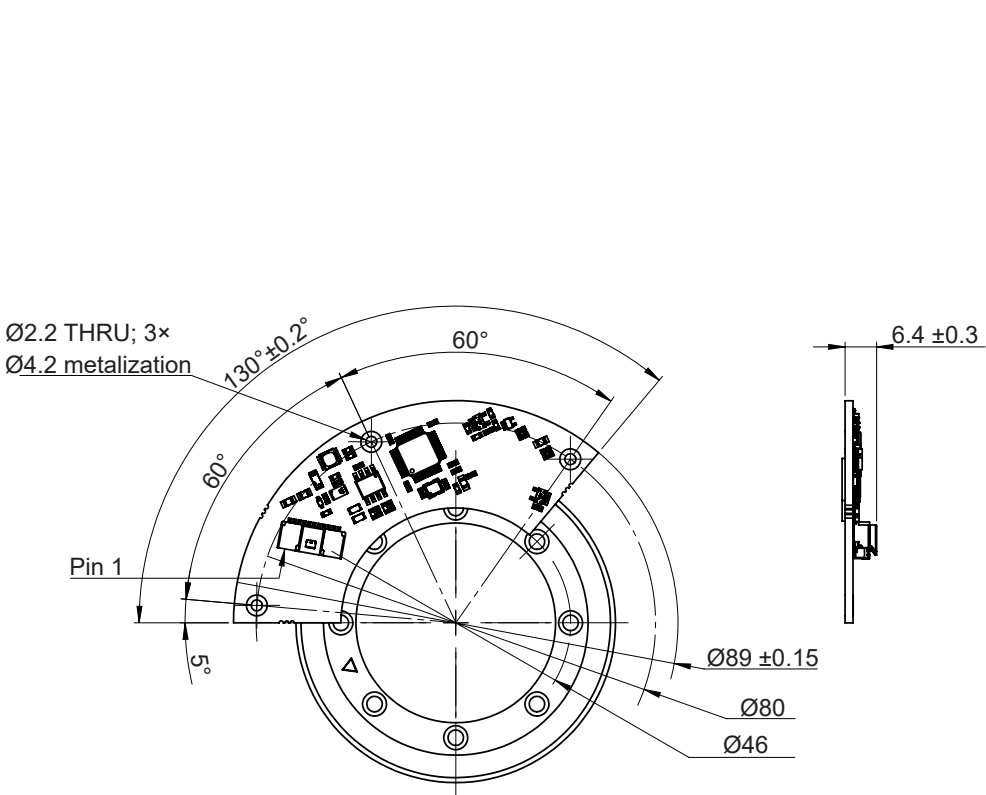


Dimensions

MB064 readhead with MRA064 ring

Dimensions and tolerances in mm.



$\text{Ø} 3.1$ THRU $\sphericalangle \text{Ø}4.8 \times 90^\circ (8 \times)$
For fastener M2.5 ISO 7046