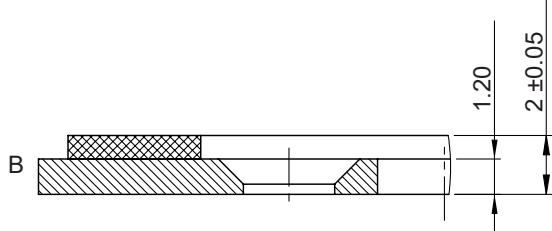
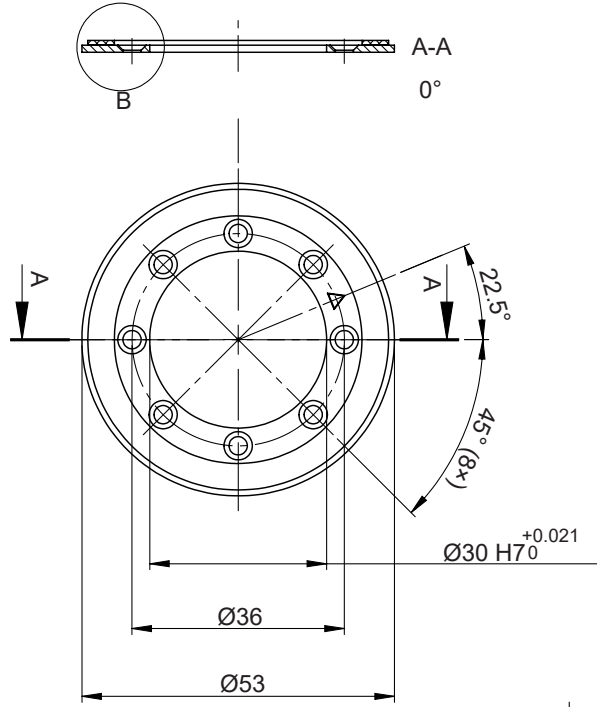
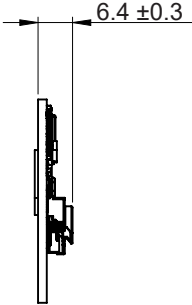
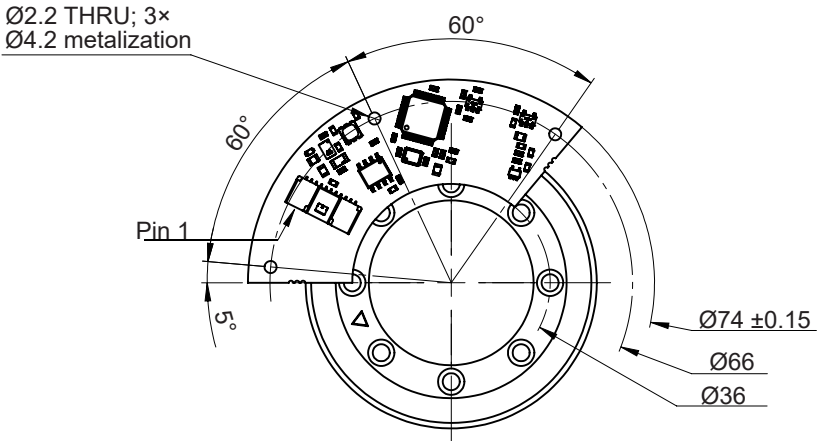


# Dimensions MB053 readhead with MRA053 ring

Dimensions and tolerances in mm.



$\text{Ø} 3.1$  THRU  $\sphericalangle \text{Ø}4.8 \times 90^\circ (8\times)$   
 For fastener M2.5 ISO 7046 (DIN 965)  
 For ring attachment are required 4 fasteners