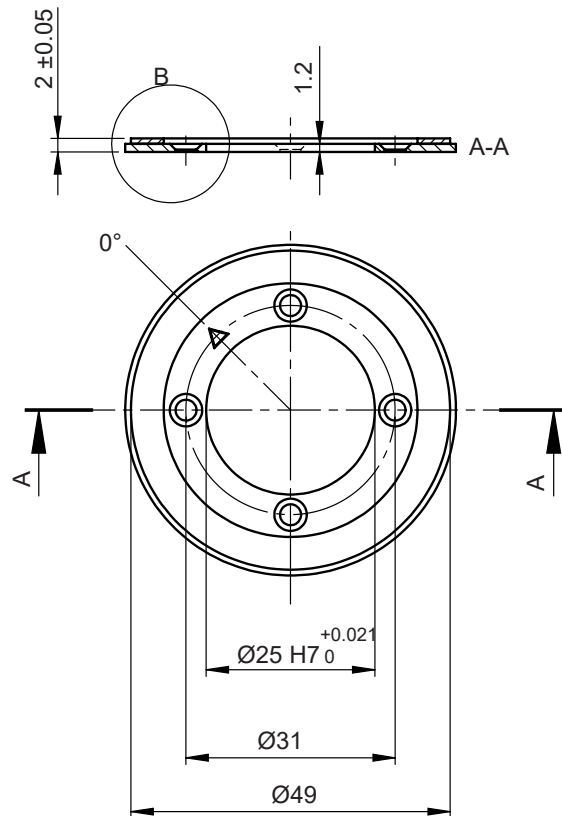
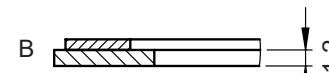
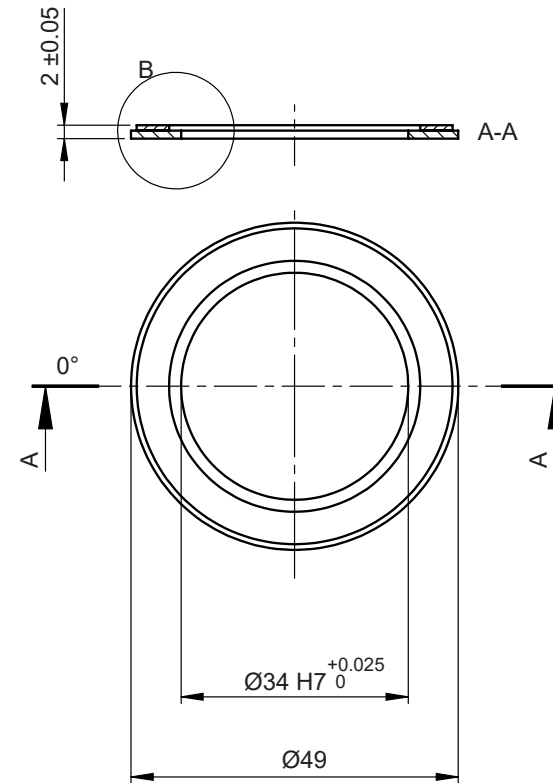


Dimensions MRA049 ring

Dimensions and tolerances in mm.



4 × Ø3.1 √ Ø4.8 × 90° for fasteners
For fasteners M2.5 × 6 ISO 7046 (DIN 965)



4 × Ø3.1 √ Ø4.8 × 90° for fasteners
For fasteners M2.5 × 6 ISO 7046 (DIN 965)