

AksIM-4™

with Hiperface DSL Protocol

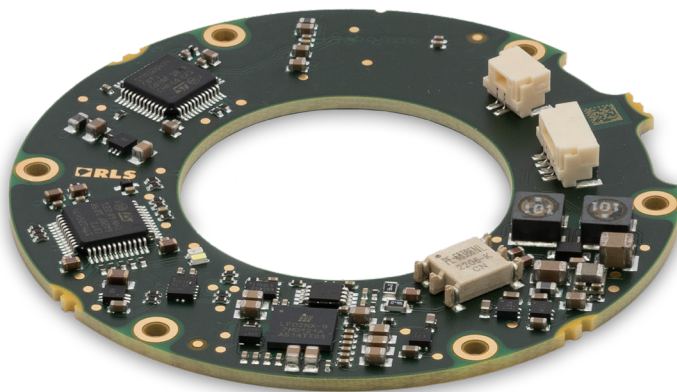


COMPACT &
LIGHTWIGHT
PCB
ENCODER

ONE CABLE
TECHNOLOGY
PROTOCOL

INDUSTRY
4.0

The AksIM-4 is a non-contact, high performance off-axis absolute rotary encoder. It is designed for integration into applications with limited space. A hollow ring, true absolute functionality and Hiperface DSL protocol make this encoder suitable for compact servo motor applications. The AksIM-4 encoder system consists of an axially magnetised ring and a readhead.



Why choose AksIM-4™ with Hiperface DSL Protocol?

FEATURES:

- ✓ True absolute
- ✓ Custom magnetic sensor ASIC
- ✓ Self-calibration option
- ✓ Low profile
- ✓ Non-contact

BENEFITS:

- ✓ Reduced wiring complexity
- ✓ High speed data transmission
- ✓ Cost efficient
- ✓ Possibility for more compact motor design
- ✓ One cable technology protocol



ASSEMBLY LINES



MOTOR
FEEDBACK



INDUSTRIAL
AUTOMATION



SPINDLES



INDUSTRY 4.0

RLS d. o. o.
Poslovna cona Žeje pri Komendi
Pod vrbami 2
SI-1218 Komenda
Slovenia

T: +386 1 5272100
E: mail@rls.si

www.rls.si

A **RENISHAW** associate company

AksIM-4™ Hiperface DSL technical specifications

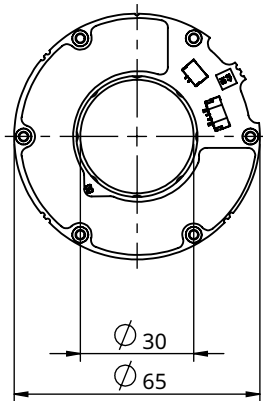
SYSTEM DATA		
Reading type	Axial reading	
Resolution	20 bit	
Maximum speed	MRA053: 7,500 rpm MRA080: 4,700 rpm	
System accuracy	Up to $\pm 0.005^\circ$ / ± 18 arcsec	
ELECTRICAL DATA		
Supply voltage	7 V to 12 V at the connector	
Current consumption	Typ. 85 mA at 12 V - at the connector, max 1.4 W	
MECHANICAL DATA		
Available ring sizes (ID)	30 mm, 55 mm, 64 mm	
Material type	EN 1.4016 / AISI430 with glued CPE rubber filled with ferrite particles	
ENVIRONMENTAL DATA		
Operating and storage temperature	Readhead	-40°C to $+115^\circ\text{C}$
	Ring	-40°C to $+105^\circ\text{C}$

AksIM-4™ Hiperface DSL dimensions

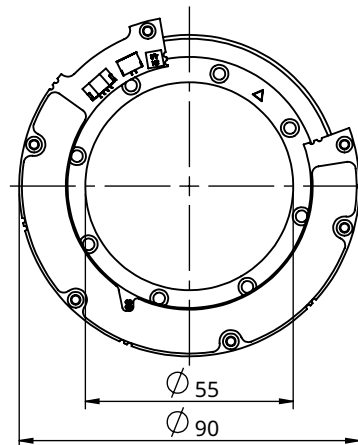
Dimensions and tolerances are in mm. Dimensions without tolerance values are in accordance with ISO 2768-m. System thickness is 9.05 mm for both sizes.



MC053 readhead with MRA053 ring



MC080 readhead with MRA080 ring



RLS d.o.o. has made considerable effort to ensure the content of this document is correct at the date of publication but makes no warranties or representations regarding the content. RLS d.o.o. excludes liability, howsoever arising, for any inaccuracies in this document. © 2025 RLS d.o.o.



RLS d. o. o.
Poslovna cona Žeje pri Komendi
Pod vrbami 2
SI-1218 Komenda
Slovenia

T: +386 1 5272100
E: mail@rls.si
www.rls.si

A RENISHAW associate company