

OnAxis™ Redundant Incremental Encoders

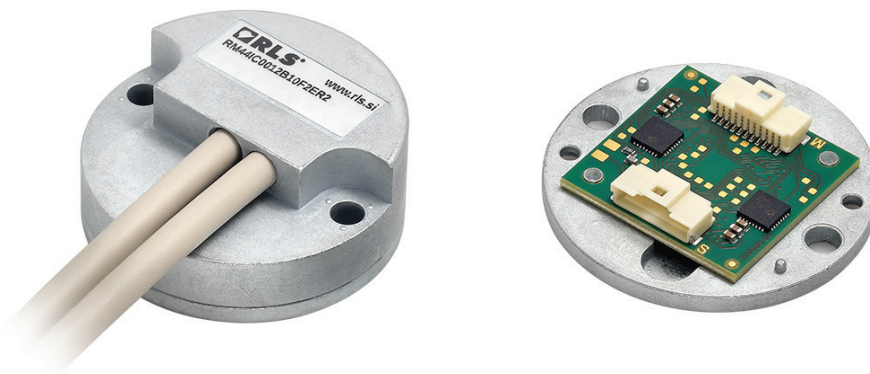
REDUNDANCY

EASY
INSTALLATION

NON-
CONTACT

The RM44 and RMF44 redundant are non-contact magnetic encoders with two independent outputs and no common connections between two devices.

Redundancy is implemented only on the sensor and driver side. The encoders are suitable for demanding applications that require a higher level of safety.



Features and benefits

- ▶ Redundancy for safety applications
- ▶ Dual outputs inside one encoder
- ▶ 5 V power supply versions
- ▶ High speed
- ▶ Resolution up to 4,096 cpr
- ▶ Accuracy to $\pm 0.5^\circ$
- ▶ Excellent degree of protection up to IP68



AGVs



INDUSTRIAL
AUTOMATION



PACKAGING



MOTOR CONTROL



AGRICULTURE

General information

The encoder consists of a diametrically polarised magnet and a separate sensor body (RM) or a sensor on a flange (RMF). The redundancy is realized in the sensor and driver side only. The encoder uses only one magnet ($\varnothing 7 \times 4$ mm). Designed for direct integration into high-volume OEM applications, the RM/RMF44 encoders can be used in a wide range of applications, including motor control and industrial automation.

RM44 redundant encoder



+

Actuator or magnet

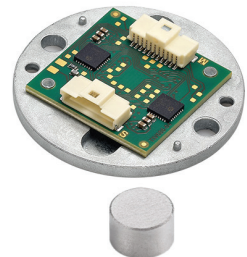
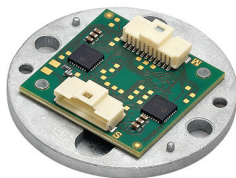


=

Encoder system



RMF44 encoder module
on a flange



Product range

RM44 encoder



RMF encoder module



Actuators and magnets



Storage and handling

Operating and storage temperature

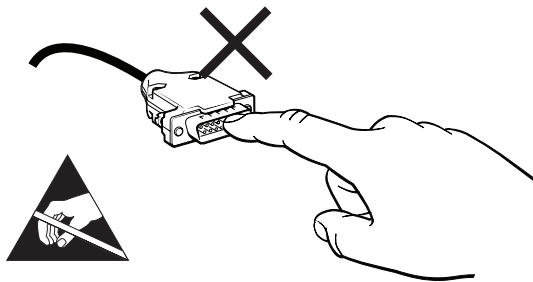


RM44:	RMF44:
-30 °C to +80 (IP68)	-40 °C to +105 °C (limited by connector)
-40 °C to +125 °C (IP64)	-40 °C to +125 °C (soldering pads)

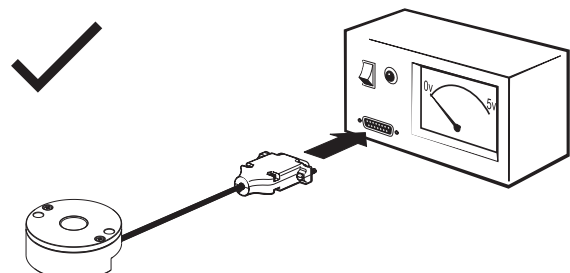
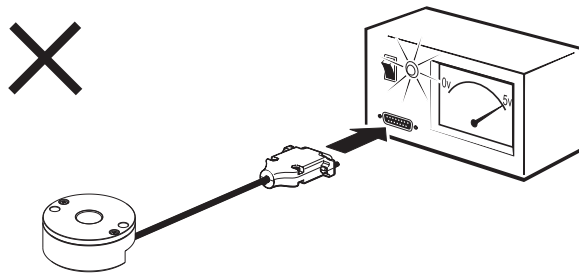
Humidity



RM44: up to IP68
 RMF44: up to 70% non- condensating



The RM44/RMF44 encoders must be powered from a DC SELV supply that meets the basic requirements of EN (IEC) 60950 or similar specification.



Packaging

RM44:

Packed individually in antistatic bags.

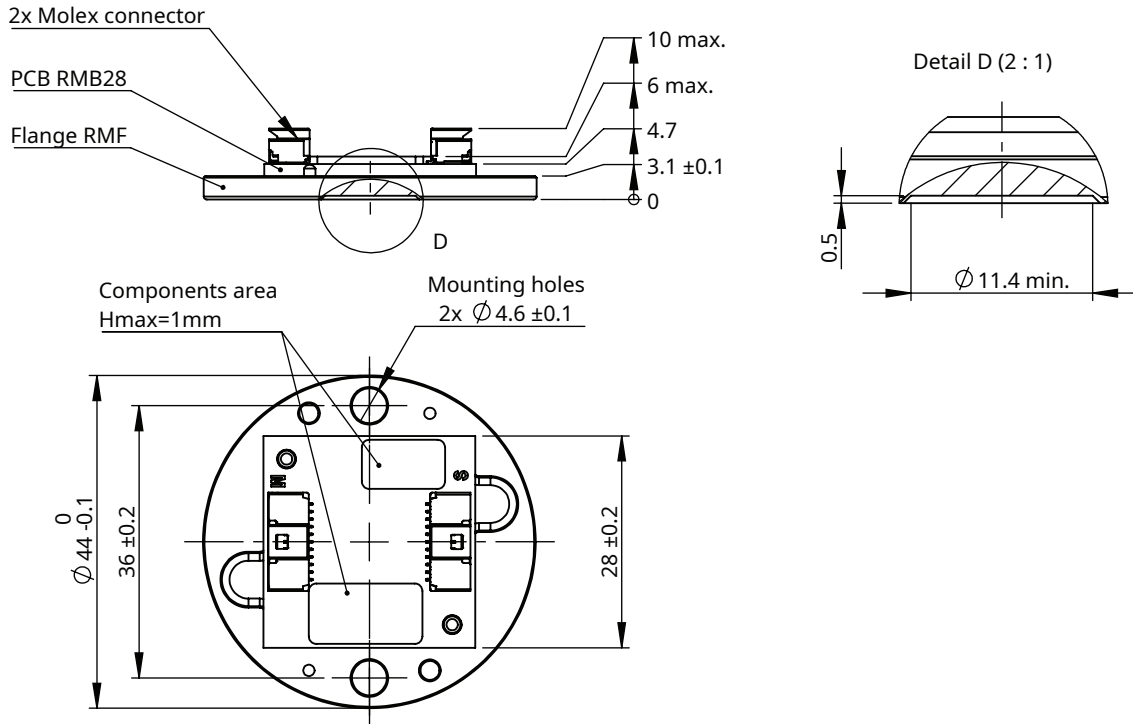
RMF44:

Less than 20 products are packed individually in an antistatic box. If more than 20 systems are ordered, the parts are packed in antistatic plastic trays. Magnets and readheads are packed separately.

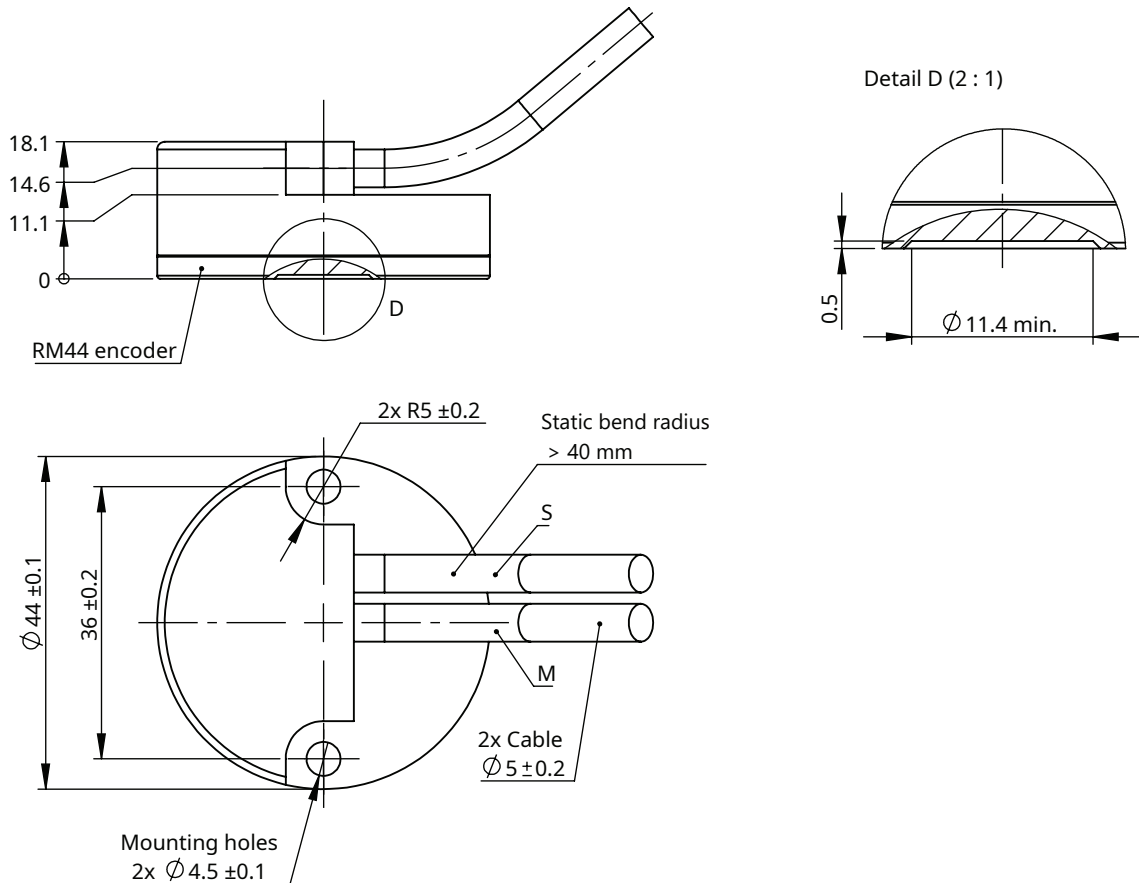
Dimensions and installation drawings

Dimensions and tolerances are in mm.

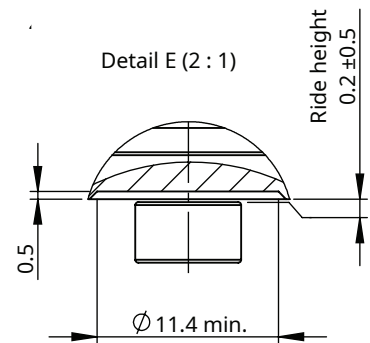
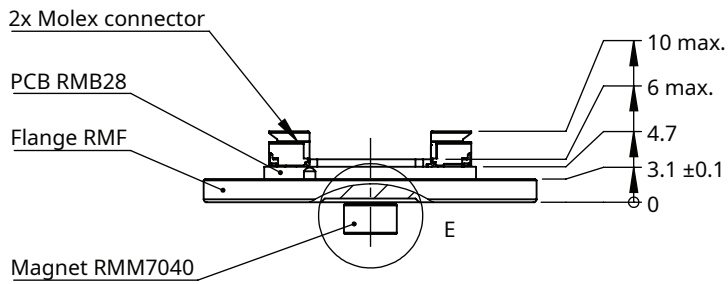
RMF44 dimensions



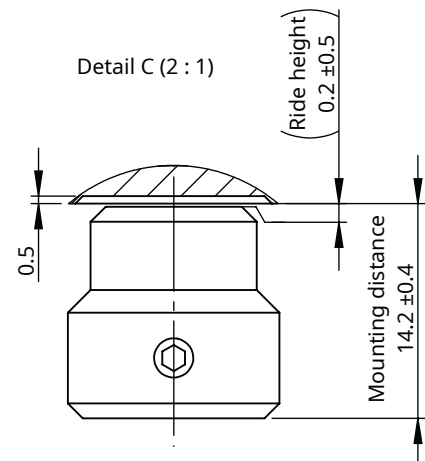
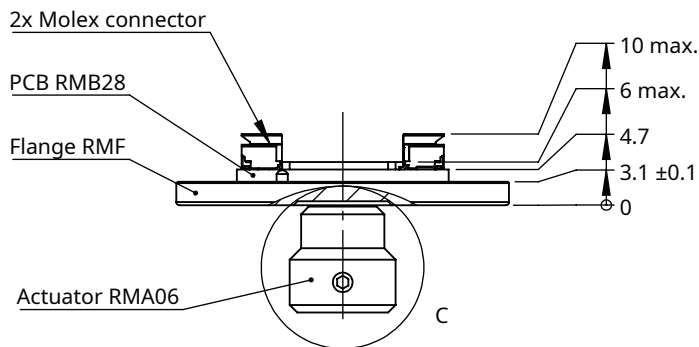
RM44 dimensions



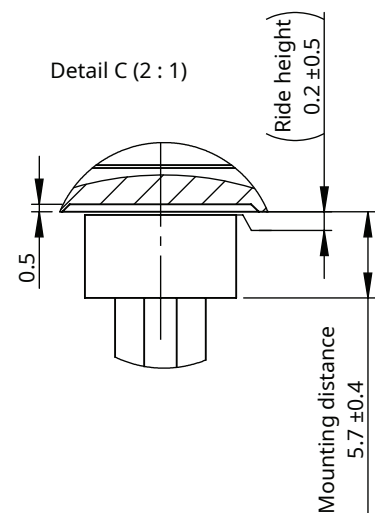
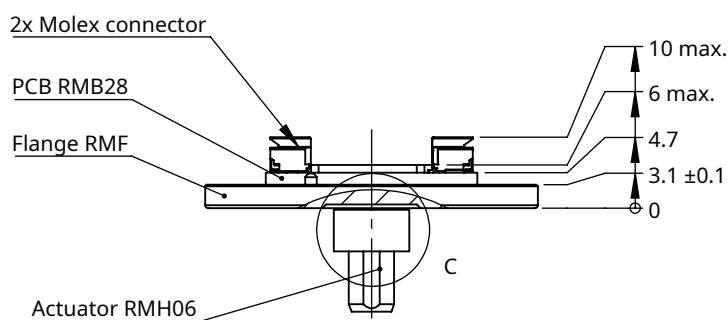
RMF44 with RMM7040 magnet



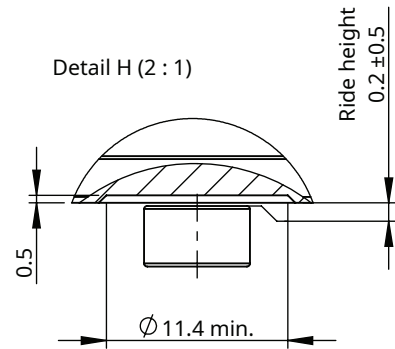
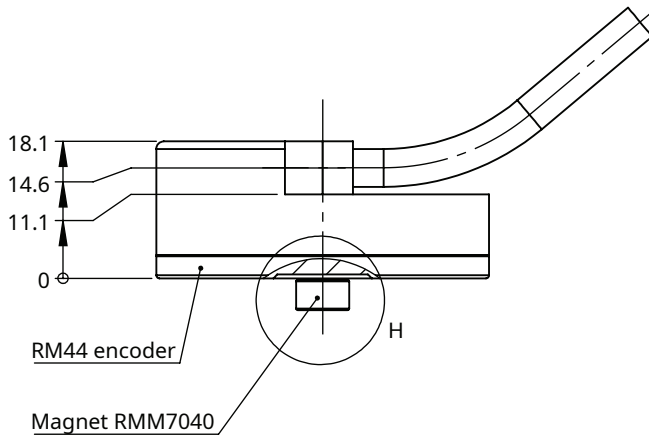
RMF44 with RMA06 actuator



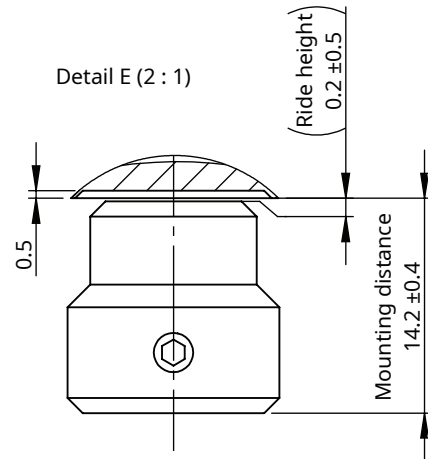
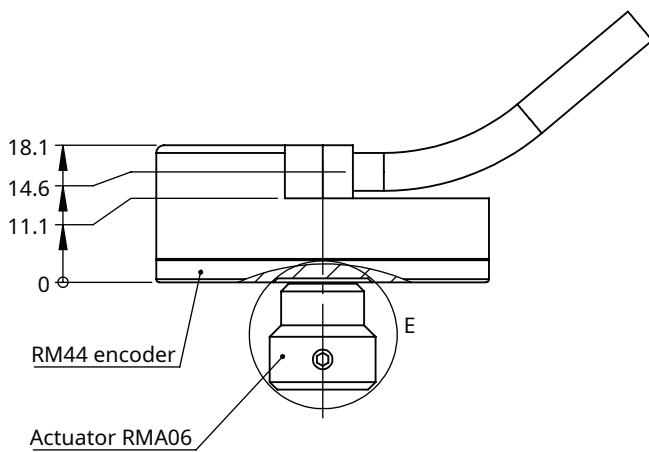
RMF44 with RMH06 actuator



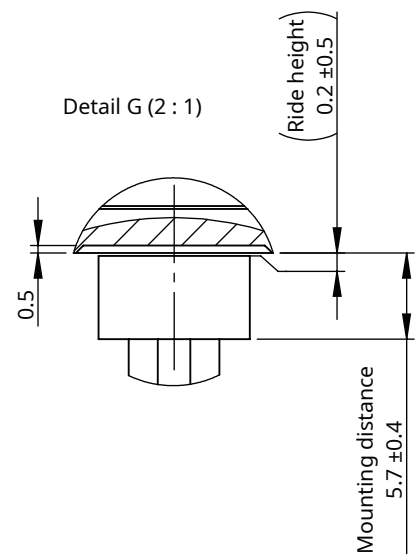
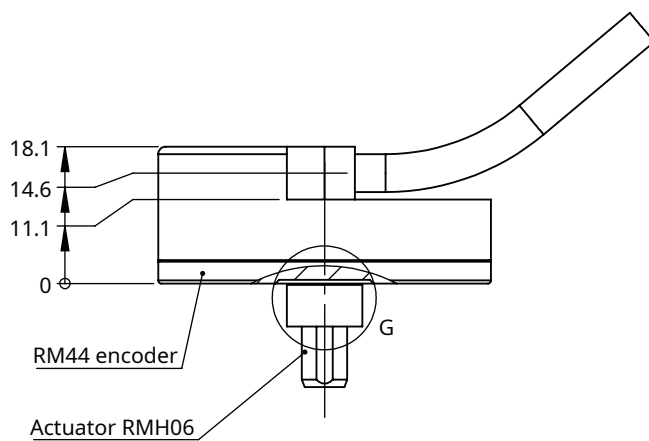
RM44 with RMM7040 magnet



RM44 with RMA06 actuator



RM44 with RMH06 actuator

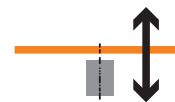


Installation tolerances

Installation tolerances for RM44/RMF44

Mounting distance

See installation drawings of encoder assemblies on [pages 5-6](#).



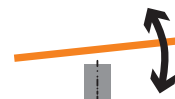
Radial displacement (concentricity)


± 0.3 mm



Perpendicularity

$\pm 0.3^\circ$



 - Encoder  - Magnet

Technical specifications

System data

Accuracy	±0.5°
Hysteresis	Typ. 0.18°
Temperature drift error	0.005°/°C

Mechanical data

Housing material	ZAMAK
Mass	RM44 33 g (with 2×1 m cables) RMF44 28 g
Wire thickness	AWG26 (RM44)
Maximum speed	30,000 rpm
Maximum cable length	10 m

Environmental data

Operating and storage temperature	RM44	-30 °C to +80 °C (IP68) -40 °C to +125 °C (IP64)
	RMF44	-40 °C to +105 °C (limited by connector) -40 °C to +125 °C (soldering pads)
Environmental sealing	RM44 RMF44	Up to IP68
Shock	100 G (6 ms, standard EN 60068-2-27:2009)	
Vibration	40 G (55 Hz–2000 Hz, standard EN 60068-2-6:2008)	

Output type

Incremental, RS422 line driver

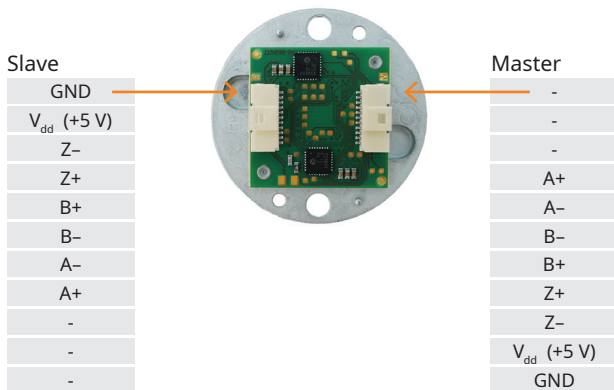
RM44/RMF44 IC

Specifications

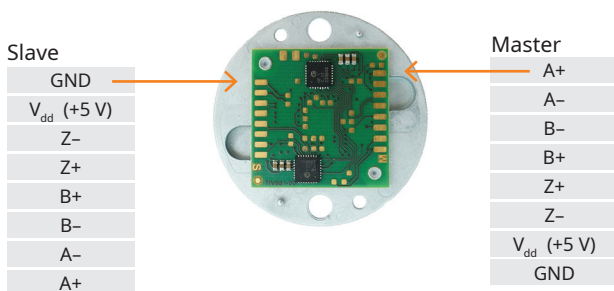
Power supply	$V_{dd} = 5\text{ V} \pm 5\%$
Current consumption	Encoder I: Typ. 30 mA Encoder II: Typ. 30 mA
Output signals	Encoder I: A+, B+, Z+, A-, B- Z- (RS422) Encoder II: A+, B+, Z+, A-, B- Z- (RS422)
Resolution	32, 64, 128, 256, 512, 1024, 2048, 4096 cpr
Short circuits protection	Yes
Reverse polarity protection	Yes

Connections

RMF44 with connectors



RMF44 with soldering pads

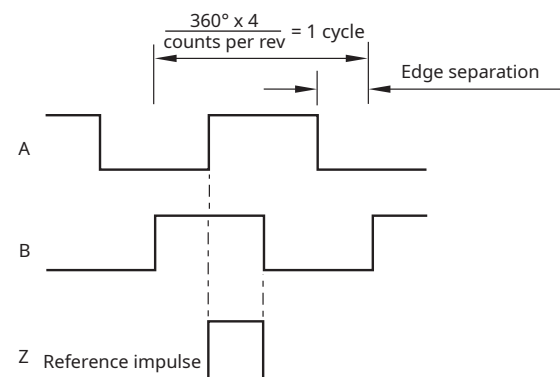


RM44 IC

Wire colour	Master	Slave
White	Z+	Z+
Green	B+	B+
Grey	A+	A+
Red	V_{dd}	V_{dd}
Brown	Z-	Z-
Yellow	B-	B-
Pink	A-	A-
Blue	GND	GND

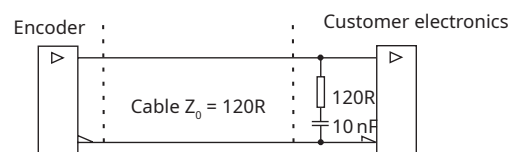
Timing diagram

Complementary signals not shown

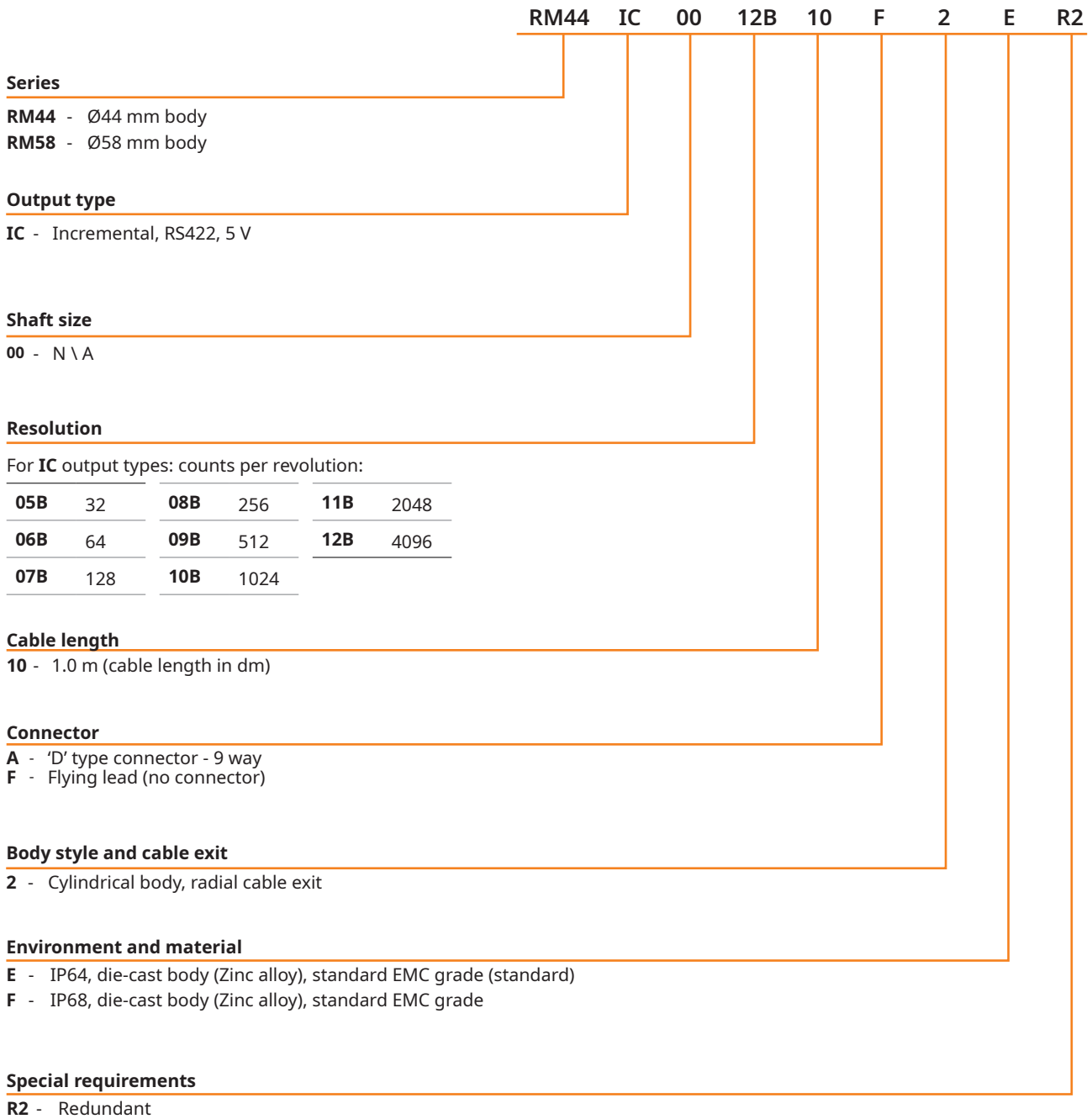


B leads A for clockwise rotation of magnetic actuator.

Recommended signal termination



Part numbering



RMF44 IC 09B A R2

Series

RMF44- Ø44 mm diameter flange
 RMF58- Ø58 mm diameter flange

Output type

IC - Incremental, RS422

Resolution

For IC (counts per revolution):

05B	32	09B	512
06B	64	10B	1024
07B	128	11B	2048
08B	256	12B	4096

Shape and connector

A - Standard aluminium flange
 M - Standard aluminium flange, Molex connector

Special requirements

R2 - Redundant

Magnetic actuator and magnet ordering information

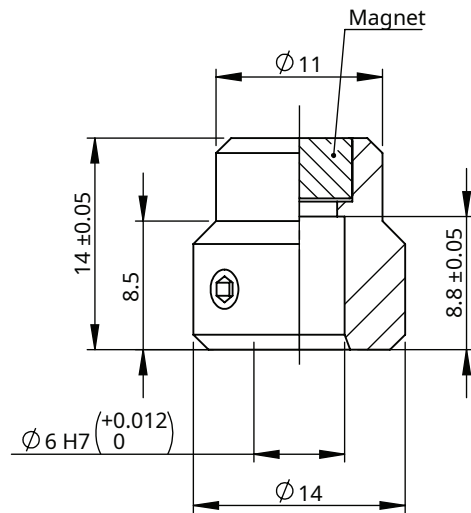
Actuator for integration onto shaft



Part number: RMA06B1A00

Shaft = $\varnothing 6$ mm \times h7

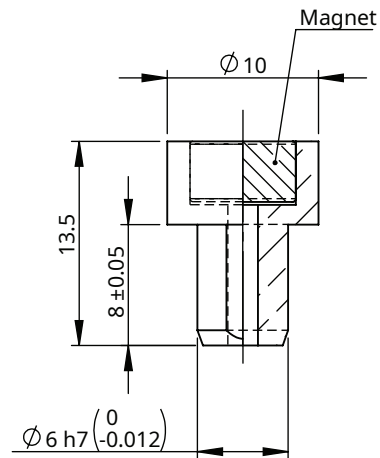
Fixing: Grub screw provided



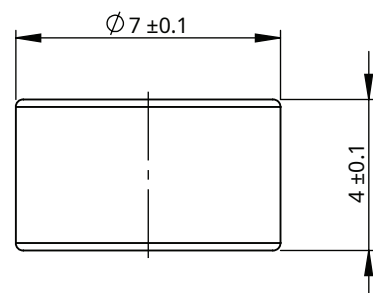
Actuator for integration into shaft



Part number: RMH06B1A00



Magnet for direct recessing in non-ferrous shafts



Part numbers:

RMM7040A1A00 (individually packed) – sample quantities only
RMM7040A1B00 (packed in tubes)

Fixing: Adhesive (recommended – LOCTITE 648 or 2701)

Accessories

Cable assembly

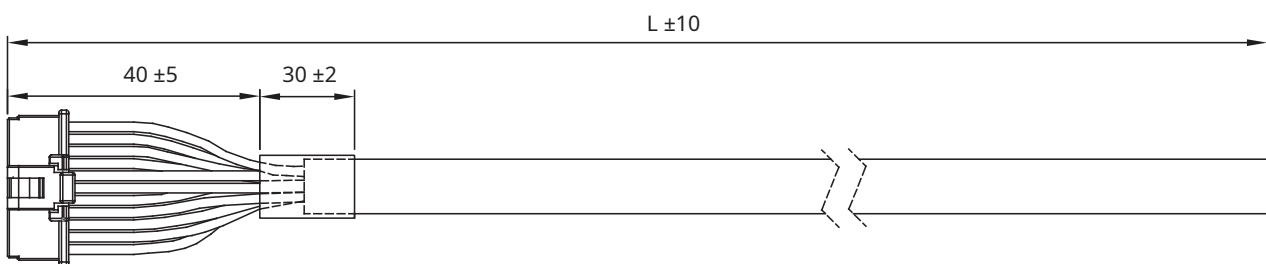


Cable assembly 12 core, 0.3 m, 0.5 m or 1 m
ACC001, ACC002, ACC003

Compatible with RMF44.

Dimensions

Dimensions and tolerances in mm.



Cable specifications

Cable length	ACC001: 30 cm ACC002: 50 cm ACC003: 100 cm
Cable specifications	LI12YC12Y
Connector	Molex 501330-1100, 11 pins
Wire diameter	AWG26 (0.14 mm ²)
Sheath color	Grey (RAL7032)
Rated voltage	250 V
Operating temperature range	From -30 °C to +125 °C
Environmental conformation	RoHS conform 73/23/EWG-Guideline CE conform Halogen free

Pin	Wire color
1	Blue
2	Red
3	Brown
4	White
5	Green
6	Yellow
7	Grey
8	Pink
9	Black
10	Violet
11	Grey/Pink

Head office

RLS Merilna tehnika d. o. o.

Poslovna cona Žeje pri Komendi
Pod vrbami 2
SI-1218 Komenda
Slovenia

T +386 1 5272100
E mail@rls.si
www.rls.si

Global support

Visit our [website](#) to contact your nearest sales representative.

Document issues

Issue	Date	Page	Description
1	28. 9. 2023	-	New document

This product is not designed or intended for use outside the environmental limitations and operating parameters expressly stated on the product's datasheet. Products are not designed or intended for use in medical, military, aerospace, automotive or oil & gas applications or any safety-critical applications where a failure of the product could cause severe environmental or property damage, personal injury or death. Any use in such applications must be specifically agreed to by seller in writing, and is subject to such additional terms as the seller may impose in its sole discretion. Use of products in such applications is at buyer's own risk, and buyer will indemnify and hold harmless seller and its affiliates against any liability, loss, damage or expense arising from such use. Information contained in this datasheet was derived from product testing under controlled laboratory conditions and data reported thereon is subject to the stated tolerances and variations, or if none are stated, then to tolerances and variations consistent with usual trade practices and testing methods. The product's performance outside of laboratory conditions, including when one or more operating parameters is at its maximum range, may not conform to the product's datasheet. Further, information in the product's datasheet does not reflect the performance of the product in any application, end-use or operating environment buyer or its customer may put the product to. Seller and its affiliates make no recommendation, warranty or representation as to the suitability of the product for buyer's application, use, end-product, process or combination with any other product or as to any results buyer or its customer might obtain in their use of the product. Buyer should use its own knowledge, judgment, expertise and testing in selecting the product for buyer's application, end-use and/or operating environment, and should not rely on any oral or written statement, representation, or samples made by seller or its affiliates for any purpose. EXCEPT FOR THE WARRANTIES EXPRESSLY SET FORTH IN THE SELLER'S TERMS AND CONDITIONS OF SALE, SELLER MAKES NO WARRANTY EXPRESS OR IMPLIED WITH RESPECT TO THE PRODUCT, INCLUDING ANY WARRANTY OF MERCHANTABILITY OR FITNESS FOR ANY PARTICULAR PURPOSE, WHICH ARE DISCLAIMED AND EXCLUDED. All sales are subject to seller's exclusive terms and conditions of sale which, where the seller is (a) RLS Merilna tehnika d. o. o., are available at <https://www.rls.si/eng/salesterms>, (b) Renishaw, Inc., are available at <https://www.renishaw.com/legal/en/-42186>, or (c) another person, are available on request, and in each case, are incorporated herein by reference, and are the exclusive terms of sale. No other terms and conditions apply. Buyer is not authorized to make any statements or representations that expand upon or extend the environmental limitations and operating parameters of the products, or which imply permitted usage outside of that expressly stated on the datasheet or agreed to in writing by seller.

RLS Merilna tehnika d. o. o. has made considerable effort to ensure the content of this document is correct at the date of publication but makes no warranties or representations regarding the content. RLS Merilna tehnika d. o. o. excludes liability, howsoever arising, for any inaccuracies in this document. © 2023 RLS d. o. o.