

# MR

## Axial Incremental Magnetic Rings

VARIOUS  
SIZES AND  
MOUNTING  
OPTIONS

ROBUST  
DESIGN

EASY TO  
MOUNT

The robust RLS axial magnetic incremental rings consist of an elasto-ferrite layer and a stainless steel hub. The elasto-ferrite layer is magnetised with 2 mm long alternating magnetic poles, which form an incremental magnetic pattern.

A unique reference mark option can also be added to the incremental magnetic pattern. Axial magnetic rings offer reliable solutions for high performance applications.



### Features and benefits

- ▶ Non-contact technology
- ▶ Compatible with RLS LM and RoLin family readheads
- ▶ High speed operation
- ▶ Easy mounting
- ▶ Different shaft diameters available
- ▶ Excellent resistance to dirt and dust
- ▶ Unique or periodic reference mark



MOTOR CONTROL



INDUSTRIAL AUTOMATION



ROBOTIC JOINTS



GIMBALS



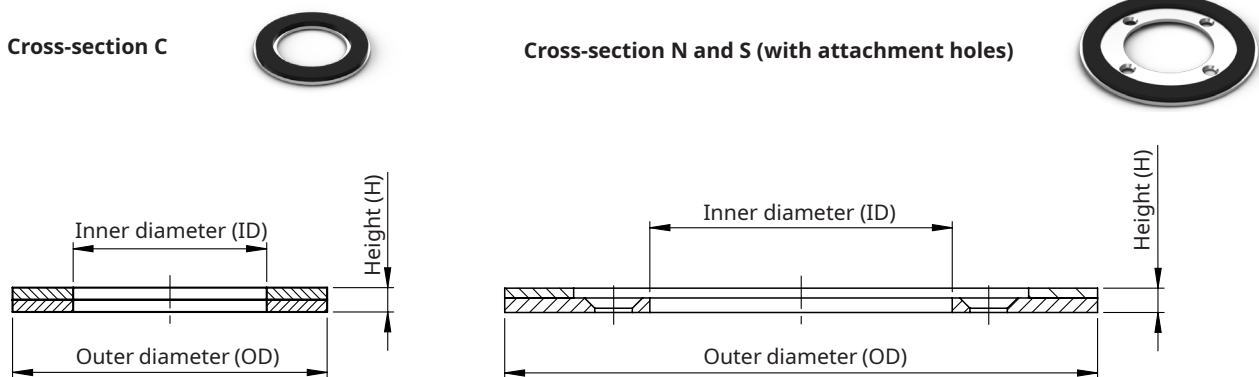
ASSEMBLY LINES

## General information

Axial incremental rings are compatible with RLS standard LM encoder family or the component-level RoLin readheads, which provide reliable operation due to their non-contact design. Incremental or analogue output types are available according to industry standards.

Various inner diameters are supported ranging from 12 mm to 71 mm. Axial magnetic rings can be installed with adhesive tape, fasteners or by gluing.

## Selection guide



Ring	OD [mm]	ID [mm]	H [mm]	Compatibility with readheads					
				LM10	LM13	RLB2	RLC2HD	RLC2IC	RLM2
<b>MR020C</b>	19.5 ±0.1	12 H7	2 ±0.1	-	-	No Ri	No Ri	No Ri	No Ri
<b>MR024C</b>	24 ±0.1	15 H7	2 ±0.1	-	-	No Ri	No Ri	No Ri	No Ri
<b>MR026C</b>	26 ±0.1	12 H7	2 ±0.1	No Ri	No Ri	No Ri	No Ri	No Ri	No Ri
	26 ±0.1	16 ±0.05	2 ±0.1	No Ri	No Ri	No Ri	No Ri	No Ri	No Ri
<b>MR034C</b>	34 ±0.1	20.5 H7	2 ±0.1	-	-	No Ri	No Ri	No Ri	No Ri
<b>MR045C</b>	45 ±0.1	28.5 H7	2 ±0.1	No Ri	No Ri	No Ri	No Ri	Ri	Ri
<b>MR049N</b>	49 ±0.1	25 H7	2 ±0.1	No Ri	No Ri	No Ri	No Ri	Ri	Ri
<b>MR050C</b>	50 ±0.1	40 H7	2 ±0.1	No Ri	No Ri	No Ri	No Ri	Ri	Ri
<b>MR061C</b>	61.3 ±0.1	51.3 H7	2 ±0.1	No Ri	No Ri	No Ri	No Ri	Ri	Ri
<b>MR080N</b>	80 ±0.1	55 H7	2 ±0.1	No Ri	No Ri	No Ri	No Ri	Ri	Ri
<b>MR100S</b>	100 ±0.1	71 H7	4 ±0.1	No Ri	No Ri	No Ri	No Ri	Ri	Ri

Ri - Unique reference mark or only incremental track available  
No Ri - No reference mark option, only incremental track available

For readhead specifications see data sheets available at [RLS media center](#).

# Storage and handling

## Storage temperature



CPE: -40 °C to 100 °C  
HNBR: -40 °C to 160 °C

## Operating temperature

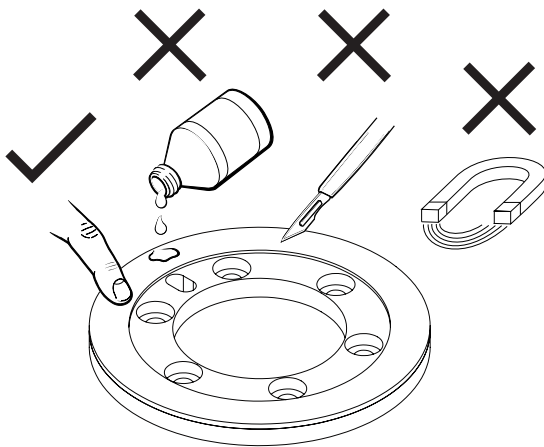


CPE: -40 °C to 100 °C  
HNBR: -40 °C to 160 °C

## Humidity



High resistance to humidity



### HANDLE WITH CARE!

The use of industrial tools during installation or exposure to strong magnets such as a magnetic base is not recommended as it carries the risk of damaging parts of the system which as a result might not perform in accordance with specifications.

Use of tools such as drift, punch or similar are expressly forbidden and should not be used during installation to adjust run-out.

### WARNING!

Improper assembly of the readhead and ring may impair function of the magnetic encoder system and lead to increased wear or damage to the system.

- All permissible distance and angle tolerances must be strictly complied with.
- The readhead may not come into contact with the ring over the entire revolution. The contact between the readhead and ring must also be avoided, to prevent ring from being damaged.
- Induction heating of the ring is expressly forbidden due to the possible damage of the magnetization pattern.
- The product should remain in the original packaging until ready for installation.

The magnetic ring should not be exposed to magnetic field densities higher than 25 mT on its surface, as this can damage the ring.

## Chemical resistance

The use of alcohol for cleaning is considered safe, but it is not allowed to immerse the ring in alcohol. Furthermore, the ring surface print and drawn reference mark may disappear if the ring is not carefully cleaned.

For more information on chemical resistance [contact RLS](#).

## Packaging

Depending on the quantity, the rings are packed either separately in boxes or in trays.

Magnetic rings with VHB adhesive tape have 12 months shelf life and should be installed within this period.

# Accuracy of ring encoder systems

The accuracy of the ring encoder measurement is influenced by **encoder accuracy errors** and **installation-dependent errors**. In order to evaluate the total accuracy, each of the significant errors must be considered. Fig. 1 shows a typical accuracy error plot with marked particular influences.

## Encoder accuracy errors

**System error** consists of a magnetisation error, crosstalk and SDE.

Ring	System error [°] Over the entire RH	Ring	System error [°] Over the entire RH	Ring	System error [°] Over the entire RH
MR020C	±0.31	MR034C	±0.17	MR061C*	±0.09
MR024C	±0.25	MR045C	±0.13	MR080N	±0.07
MR026C* ID12	±0.23	MR049N	±0.11	MR100S	±0.05
MR026C ID16	±0.23	*	±0.11		

\* Significant installation error expected due to coarse inner diameter tolerance.

## Magnetisation error

The magnetisation error is caused by imperfections in the elasto-ferrite material and possible deviations resulting from the magnetisation process. This error does not include eccentricity of mounting of the ring.

The following factors influence the result:

- the magnetic inhomogeneity of the elasto-ferrite layer,
- the ring installation tolerances during the magnetisation process,
- the measurement uncertainty of the magnetisation system during manufacturing process
- the quality of the magnetisation system.

The magnetisation accuracy  $A_M$  can be calculated by the following formula:

$$A_M = \pm \frac{4.6}{D}$$

where  $D$  is the outer ring diameter in [mm].

## Crosstalk

Crosstalk is an undesirable effect of reference mark magnetisation on the incremental track magnetisation, which leads to accuracy peaks. It depends on both the ride height and the lateral offset.

An example of crosstalk is shown in Fig. 2.

Fig. 1 to Fig. 4 are for representation purpose only.

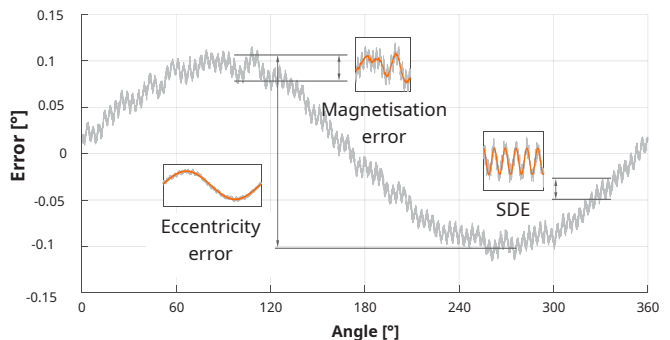


Fig. 1. Typical accuracy error plot.

D [mm]	$A_M$ [°]
20	±0.229
40	±0.115
60	±0.076

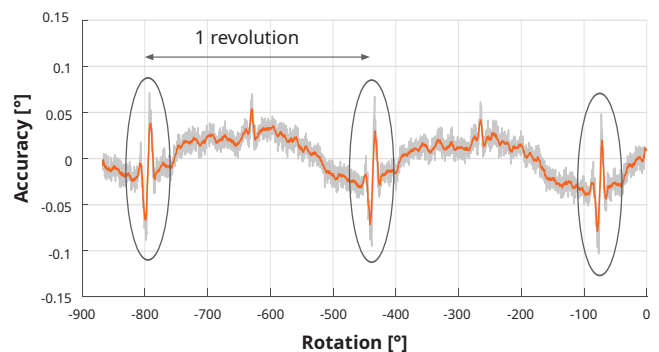


Fig. 2. Crosstalk representation. The crosstalk (Ri magnetisation) is circled.

## Sub divisional error (SDE) or interpolation error

The sub divisional or interpolation error is a periodical accuracy error. It is influenced by the following factors:

- the length of poles,
- the homogeneity and cycle definition of magnetic poles,
- the sensing distance (ride height) of the installed readhead,
- the quality of the signal processing,
- the characteristics of the internal AMR sensor.

The SDE leads to speed ripples in applications where the encoder is used as speed feedback, e.g. in speed control loops. For axial rings, SDE is strongly influenced by ride height.

The maximum SDE at optimal sensing distance can be calculated by the following formula:

$$SDE = \pm \frac{0.58 \times K}{OD}$$

where:

SDE is Sub divisional error (°)

OD is the outer ring diameter in (mm)

K = 1 for magnetic rings with outer diameter >30

K = 2 for magnetic rings with outer diameter <30

OD [mm]	SDE [°]
20	±0.029
40	±0.014
60	±0.009

## Hysteresis

Hysteresis is the difference in result of measuring the same point when approached from different directions.

It is known that ferromagnetic materials maintain their magnetised state in response to external fields, trying to change their direction.

The hysteresis in encoder systems depends on the strength of the magnetic field. A stronger magnetic field leads to a smaller hysteresis and vice versa. Therefore the hysteresis is strongly influenced by the ride height at which the readhead is installed (Fig. 3).

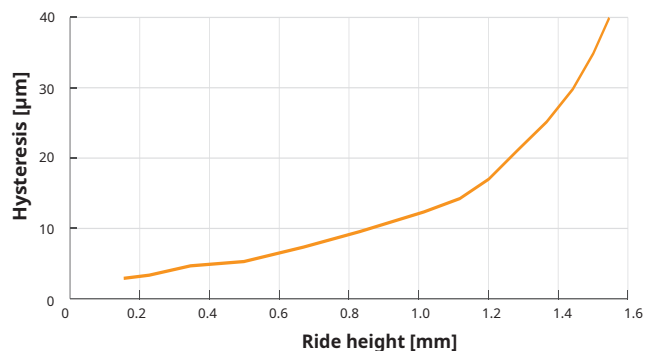


Fig. 3. Hysteresis vs. ride height (for encoder systems with 2 mm pole length).

## Installation-dependent errors

Installation and adjustment of the ring and the readhead, in addition to the given encoder-specific error, normally have a significant effect on the overall accuracy of a system. Of particular importance are the installation eccentricity and the effect of deformations resulting from the ring installation.

### Installation eccentricity

Eccentricity can be caused by the misalignment of the ring's center towards the rotational axis, as can be seen on Fig. 4.

The error caused by eccentricity can be calculated by the following formula

$$E_{accuracy} = \pm 0.114 \frac{e}{D}$$

where  $E_{accuracy}$  is eccentricity error in [°],  $e$  is misalignment of ring's center towards the rotational axis in [µm] and  $D$  is the outer ring diameter in [mm].

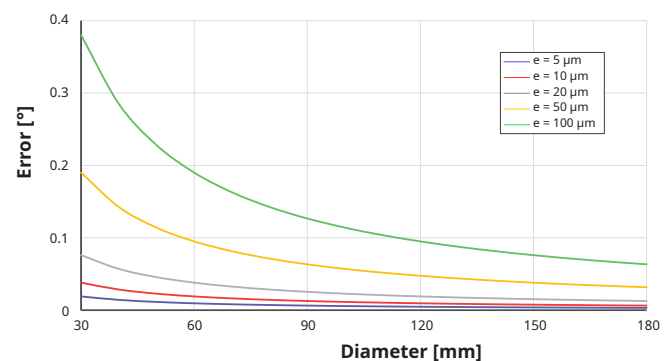


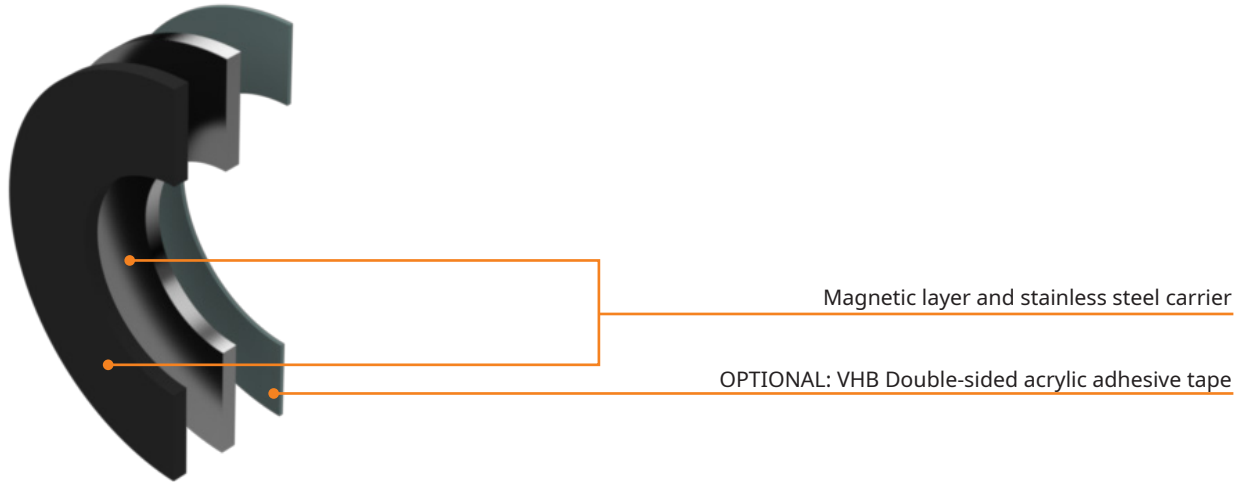
Fig. 4. Influence of installation eccentricity on accuracy.

### Deformations of the ring during installation

By installing a ring to a non-ideally circular shaft, possible deformations can occur. These can have a significant influence on the system accuracy error.

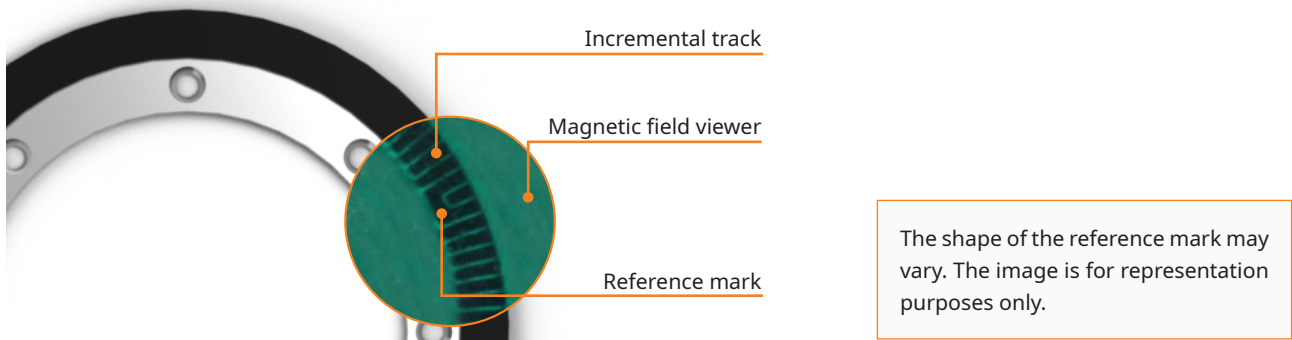
# Magnetic ring design

## Structure



## Appearance and markings

The position of the magnetised reference mark is always the same, on the inner side of the ring as shown in the figure below.



## Magnetic ring surface markings (printed or engraved)

Magnetic ring markings depend on ring size and design. They are either printed on the magnetic layer or engraved on the carrier/hub. The reference mark engraving can deviate from the actual position of the reference mark magnetization for  $\pm 5^\circ$ . The engraving is for orientation purposes only.

Ring	Serial number	Reference mark	Logo	Part number
MR020C				
MR024C				
MR026C	ID12	✓		
MR026C	ID16			
MR034C		✓		
MR045C		✓		
MR049N		✓	✓	✓
MR050C		✓		
MR061C		✓		
MR080N		✓	✓	✓
MR100S		✓	✓	✓



Reference mark sign

**YD1B70**

Serial number example  
- unique combination  
of six letters and digits

## Reference mark

### Unique reference mark

The readhead must be ordered with reference mark option A (see corresponding readhead data sheet). The magnetic ring must be ordered with reference mark option A (see **Part numbering**).

The shape and position of the magnetised reference mark are critical so this option is only available as factory order.

### Periodic reference mark

The readhead must be ordered with reference mark option C (see corresponding readhead data sheet). The magnetic ring must be ordered without reference mark option B (see **Part numbering**). The position information is output in incremental quadrature format with periodic reference pulses. The periodic reference pulses correspond to the magnetic pole length.

## Installation instructions

Machine the mounting shaft according to the dimensions given in the table below:

Axial ring	Outer diameter - OD [mm]		Inner diameter - ID [mm]		Installation (shaft) diameter - Ds [mm]	
MR020C	19.5	+0.1	12 H7	+0.018	12 f7	-0.016
		-0.1		0		-0.034
MR024C	24	+0.1	15 H7	+0.018	15 f7	-0.016
		-0.1		0		-0.034
MR026C ID16	26	+0.1	16	+0.05	15.9	-0.05
		-0.1		-0.05		-0.15
MR026C ID12	26	+0.1	12 H7	+0.018	12.7	-0.016
		-0.1		0		-0.034
MR034C	34	+0.1	20.5 H7	+0.021	20.5 f7	-0.02
		-0.1		0		-0.041
MR045C	45	+0.1	28.5 H7	+0.021	28.5 f7	-0.02
		-0.1		0		-0.041
MR049N	49	+0.1	25 H7	+0.021	25 f7	-0.02
		-0.1		0		-0.041
MR050C	50	+0.1	40 H7	+0.025	39.9	+0.05
		-0.1		0		0
MR061C	61.3	+0.1	51.3 H7	+0.1	51.2 f7	-0.015
		-0.1		-0.1		-0.025
MR080N	80	+0.1	55 H7	+0.030	55 f7	-0.03
		-0.1		0		-0.06
MR0100S	100	+0.1	71 H7	+0.030	71 f7	-0.03
		-0.1		0		-0.06

For improved accuracy (lower eccentricity error) clearance fit H7/g6 is recommended.

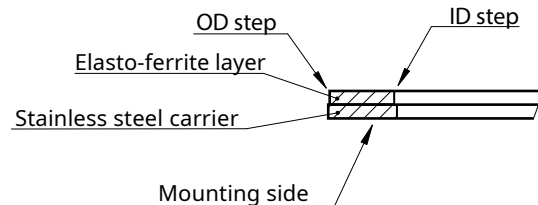
## Recommended ride height table

Installation at the recommended ride height results in better encoder system performance, such as lower SDE and higher accuracy. Please refer to the table below for the recommended ride height values. The readheads are calibrated at these values. The maximum range of installation tolerances for the ride height is shown in the drawings of the individual rings and readheads.

Readhead	LM10	LM13	RLB	RLC2HD	RLC2IC	RLM
Recommended ride height [mm]	0.3	0.3	0.3	0.3	0.3	0.3

## Mechanical details

When installing the readhead refer to the stainless steel carrier / hub, not the elasto-ferrite layer. This is particularly important for systems with reference mark which is always positioned on the inner edge of the ring.



## Installation with adhesive tape

Axial rings are standardly equipped with a VHB back adhesive tape. Most substrates are best prepared by cleaning with a 50 : 50 mixture of isopropyl alcohol and water prior to applying to the magnetic ring.

Exceptions to the general procedure that may require additional surface preparation include:

- Heavy oils: A degreaser or solvent-based cleaner may be required to remove heavy oil or grease from a surface and should be followed by cleaning with IPA/water.
- Abrasion: Abrading a surface, followed by cleaning with IPA/water, can remove heavy dirt or oxidation and can increase surface area to improve adhesion.
- Adhesion promoters: Priming a surface can significantly improve initial and ultimate adhesion to many materials such as plastics and paints.
- Porous surfaces: Most porous and fibered materials such as wood, particleboard, concrete, etc. need to be sealed to provide a unified surface.
- Unique materials: Special surface preparation may be needed for glass and glass-like materials, copper and copper-containing metals, and plastics or rubber that contain components that migrate (e.g. plasticizers).

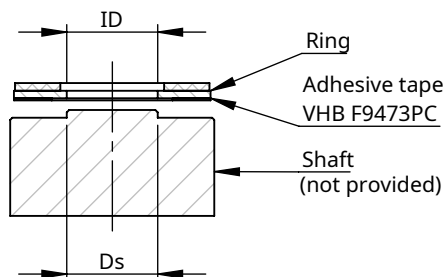
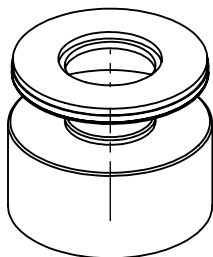
For additional information refer to "Surface Preparation for 3M™ VHB™ Tape Applications".

## Application

Good surface contact can be attained by applying enough pressure to ensure that the tape experiences approximately 100 kPa pressure. At room temperature approximately 50 % of ultimate bond strength will be achieved after 20 minutes, 90 % after 24 hours and 100 % after 72 hours. Dynamic overlap shear (Peak force to separate is measured after 72 hours dwelling): 830 kPa

## Shelf life

All MR magnetic rings with back adhesive tape have 12 months shelf life and should be installed within this period.





## Installation by gluing

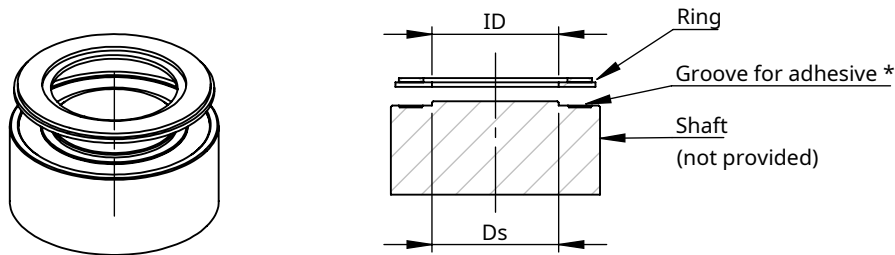
### Application

The surfaces to be stuck together must be cleaned very thoroughly before the adhesive is applied. It is worth first using abrasive cloth (abrasive rating 150-200) then degreasing using cellulose moistened with a grease solvent.

The adhesive should be applied to the parts to be stuck together as soon as possible after mixing, to ensure the best possible bond. The parts to be assembled usually need to be fixed under pressure. It is not necessary to apply extreme pressure.

At temperatures below room temperature, the hardening process takes somewhat longer. After the parts to be stuck together have been prepared, the adhesive is dosed. The adhesive should be very thoroughly mixed.

For more information see adhesive manufacturer's datasheet.



\* Dimensions according to adhesive specification.

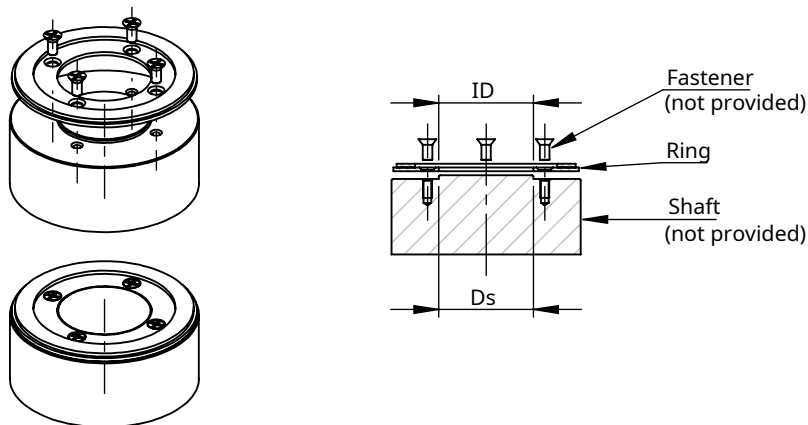
## Installation with fasteners

### Application

Installation with fasteners is possible for rings MR049N, MR080N and MR100S. Make sure the installation surface is clean and free of debris. Rings need to be attached with fasteners as per the installation drawings (see appropriate ring page).

Recommended tightening torque:

- fasteners M2.5 (DIN EN ISO 7046): 0.3 Nm



# MR020C

## Compatibility table

	LM10	LM13	LM15	RLB	RLC2HD	RLC2IC	RLM
26 poles, 2 mm width	-	-	-	No Ri	No Ri	No Ri	No Ri

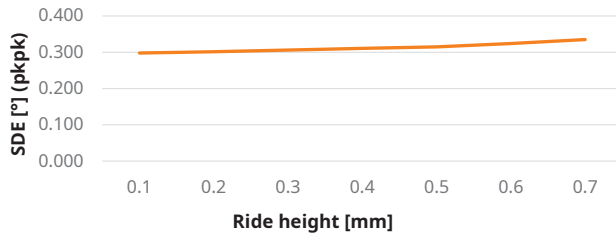
No Ri - No reference mark option, only incremental track available

## Technical specifications

Outer diameter (mm)	19.5 ± 0.1
Inner diameter (mm)	12 H7
Height (mm)	2 ± 0.1
Mass (g)	2
System error (°)	±0.31
Maximum speed table	Refer to <a href="#">MR01D04</a>

Moment of inertia (gmm <sup>2</sup> )	130
Material of magnetic layer	CPE
Hub material	EN1.4016 / AISI 430
Hub thermal expansion coefficient (CTE)	10 × 10 <sup>-6</sup> K <sup>-1</sup>

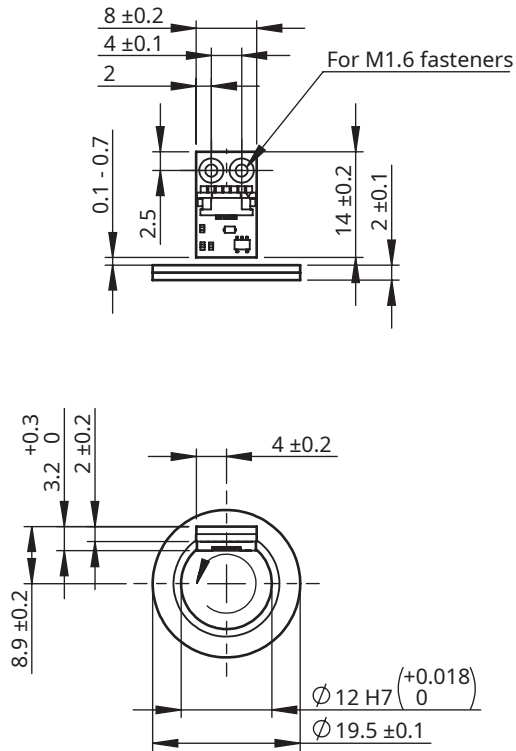
### SDE (typical measured value)



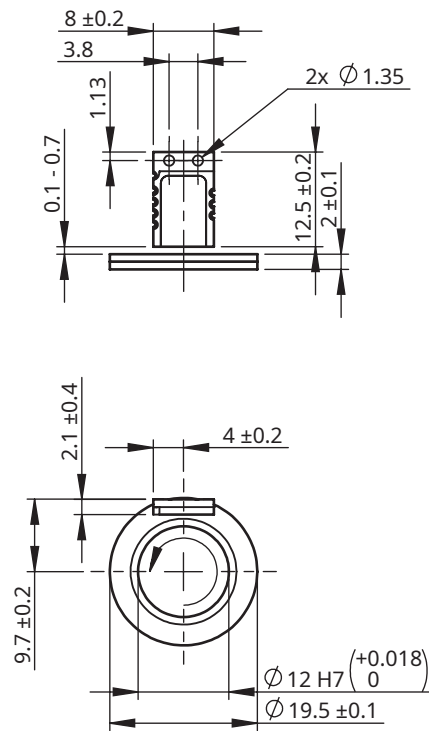
**Dimensions and installation drawings**

Dimensions and tolerances are in mm. Drawings show the positive direction of rotation of the ring and not the readhead.

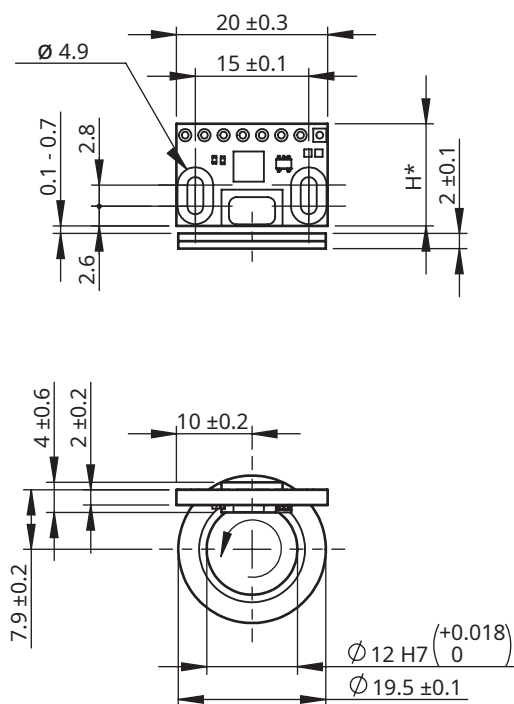
**RLB**



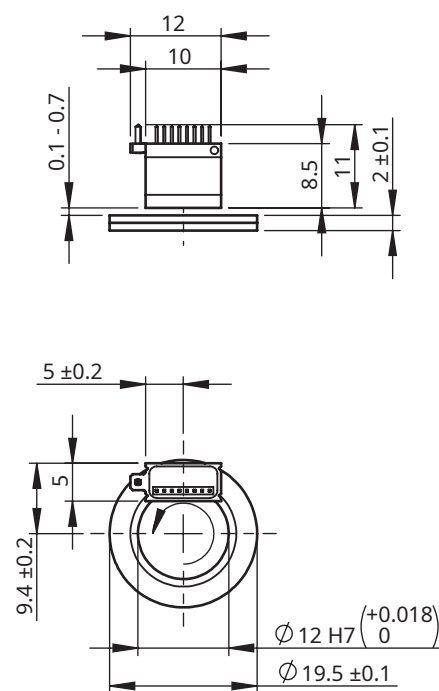
**RLC2HD**



**RLC2IC**



**RLM**



\* For height dimensions see RLC2IC data sheet available at [RLS media center](#).

# MR024C

## Compatibility table

	LM10	LM13	LM15	RLB	RLC2HD	RLC2IC	RLM
32 poles, 2 mm width	-	-	-	No Ri	No Ri	No Ri	No Ri

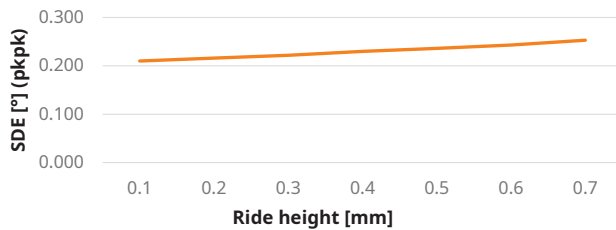
No Ri - No reference mark option, only incremental track available

## Technical specifications

Outer diameter (mm)	24 ± 0.1
Inner diameter (mm)	15 H7
Height (mm)	2 ± 0.1
Mass (g)	3
System error (°)	±0.25
Maximum speed table	Refer to <a href="#">MR01D04</a>

Moment of inertia (gmm <sup>2</sup> )	290
Material of magnetic layer	CPE
Hub material	EN1.4016 / AISI 430
Hub thermal expansion coefficient (CTE)	10 × 10 <sup>-6</sup> K <sup>-1</sup>

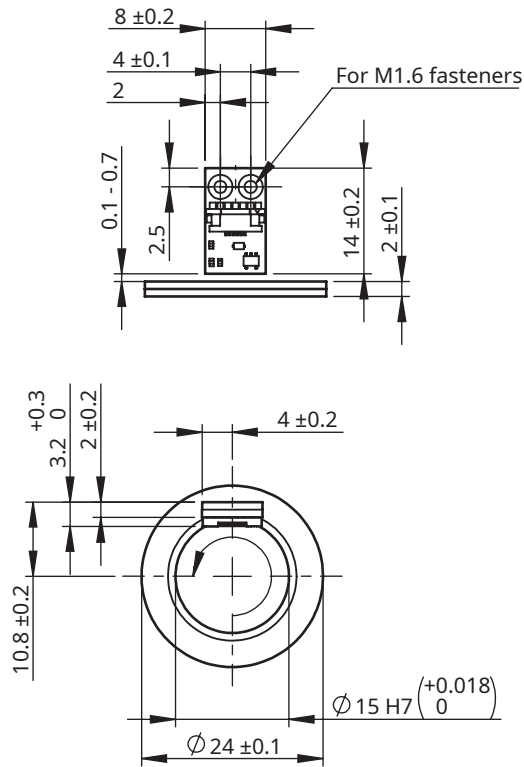
### SDE (typical measured value)



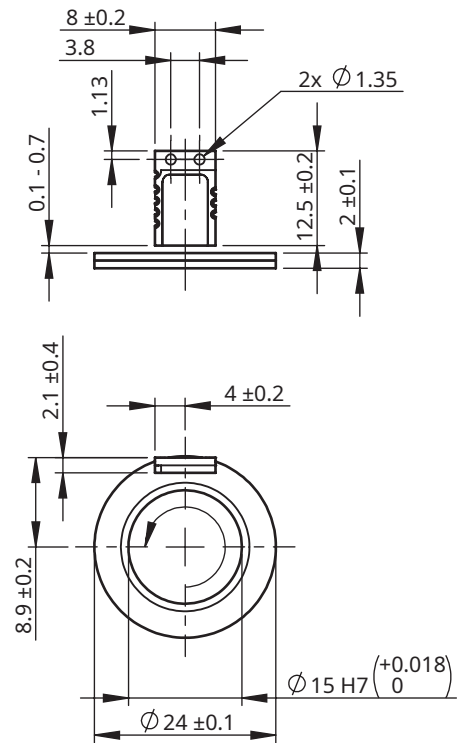
**Dimensions and installation drawings**

Dimensions and tolerances are in mm. Drawings show the positive direction of rotation of the ring and not the readhead.

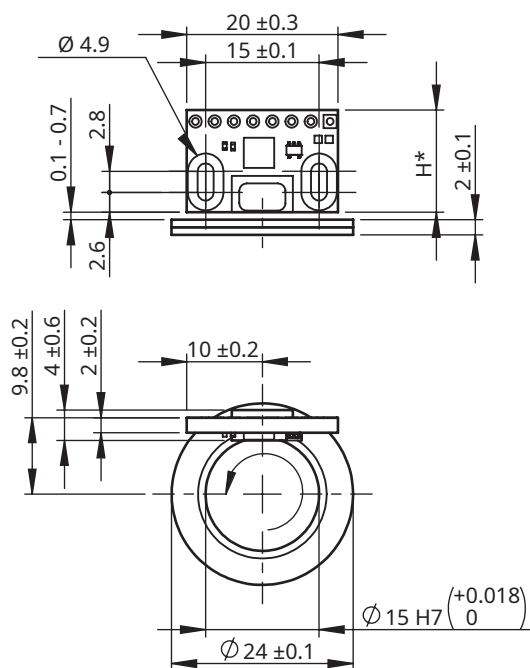
**RLB**



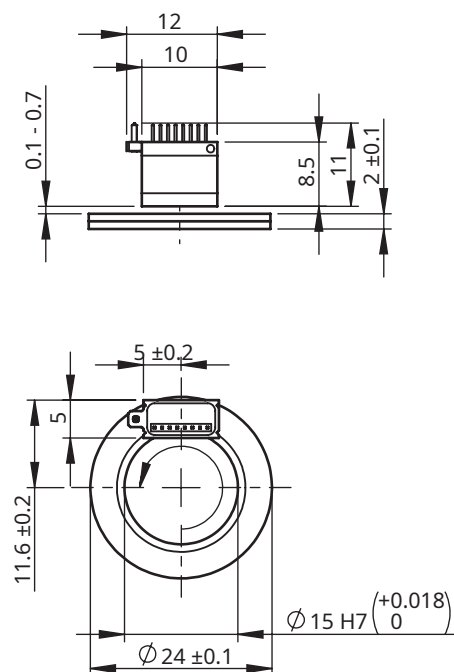
**RLC2HD**



**RLC2IC**



**RLM**



\* For height dimensions see RLC2IC data sheet available at [RLS media center](#).

# MR026C ID12

## Compatibility table

	LM10	LM13	LM15	RLB	RLC2HD	RLC2IC	RLM
<b>36 poles, 2 mm width</b>	No Ri	No Ri	-	No Ri	No Ri	No Ri	No Ri

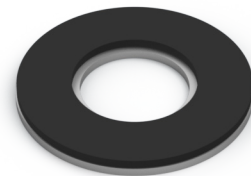
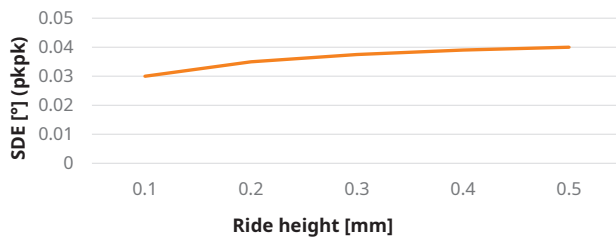
No Ri - No reference mark option, only incremental track available

## Technical specifications

<b>Outer diameter (mm)</b>	26 ± 0.1
<b>Inner diameter (mm)</b>	12 H7
<b>Height (mm)</b>	2 ± 0.1
<b>Mass (g)</b>	5
<b>System error (°)</b>	±0.23
<b>Maximum speed table</b>	Refer to <a href="#">MR01D04</a>

<b>Moment of inertia (gmm<sup>2</sup>)</b>	450
<b>Material of magnetic layer</b>	CPE
<b>Hub material</b>	EN1.4305 / AISI 303
<b>Hub thermal expansion coefficient (CTE)</b>	10 × 10 <sup>-6</sup> K <sup>-1</sup>

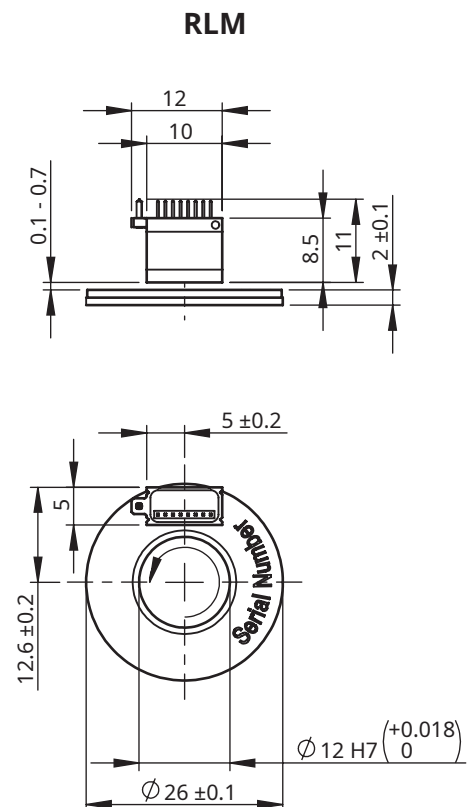
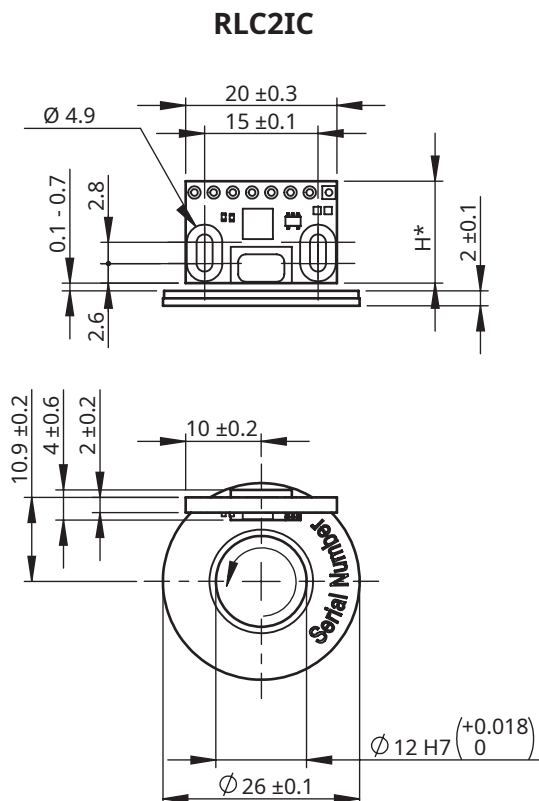
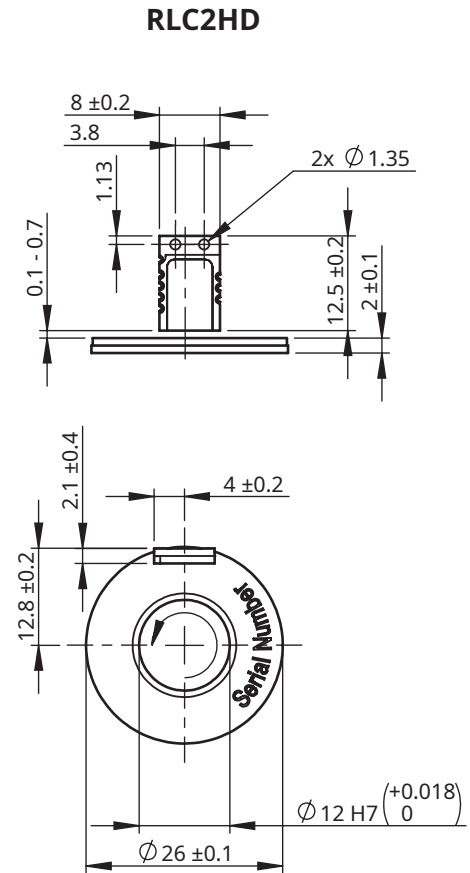
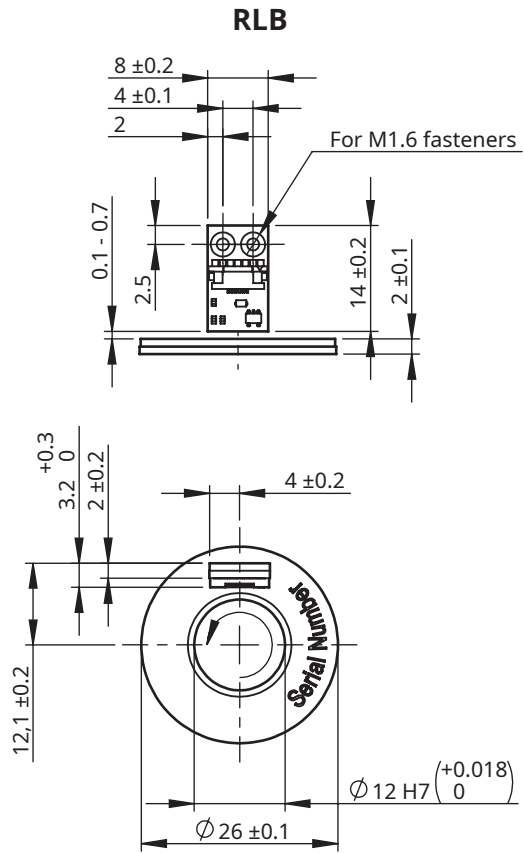
### SDE (typical measured value)



**Dimensions and installation drawings**

**MR026C ID12**

Dimensions and tolerances are in mm. Drawings show the positive direction of rotation of the ring and not the readhead.



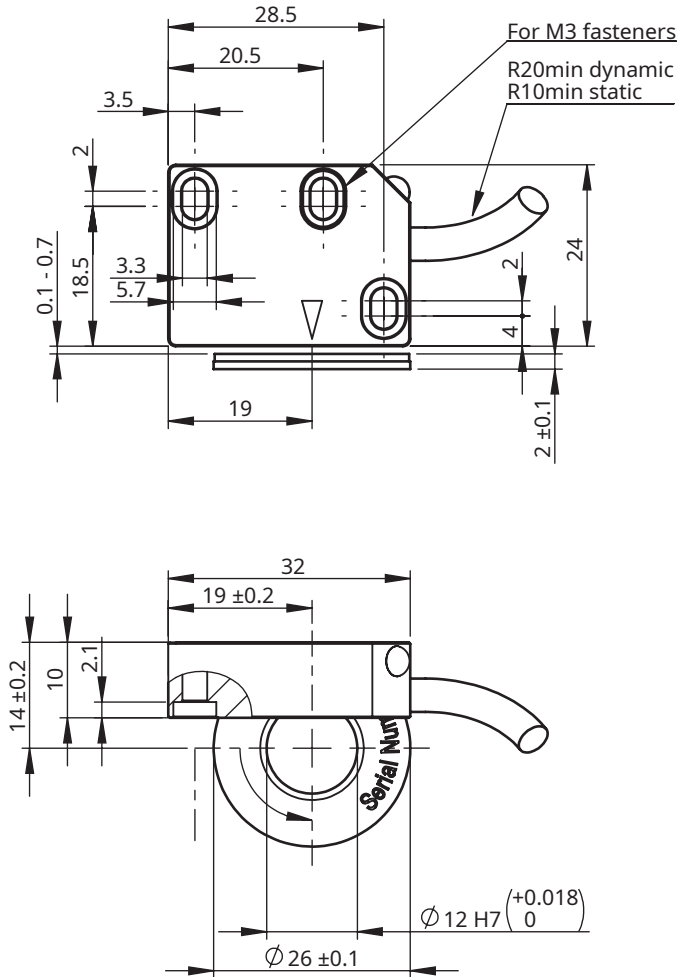
\* For height dimensions see RLC2IC data sheet available at [RLS media center](#).

## Dimensions and installation drawings

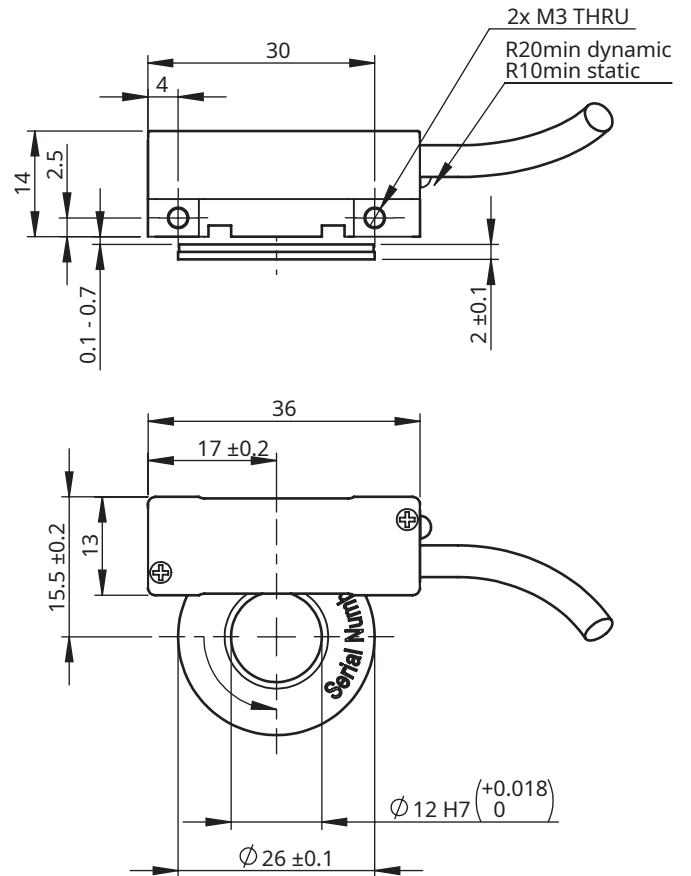
Dimensions and tolerances are in mm. Drawings show the positive direction of rotation of the ring and not the readhead.

## MR026C ID12

### LM10



### LM13





# MR026C ID16

## Compatibility table

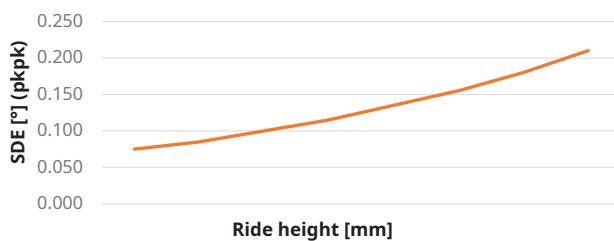
	LM10	LM13	LM15	RLB	RLC2HD	RLC2IC	RLM
<b>36 poles, 2 mm width</b>	No Ri	No Ri	-	No Ri	No Ri	No Ri	No Ri

No Ri - No reference mark option, only incremental track available

## Technical specifications

<b>Outer diameter (mm)</b>	26 ± 0.1	<b>Moment of inertia (gmm<sup>2</sup>)</b>	450
<b>Inner diameter (mm)</b>	16 ± 0.05	<b>Material of magnetic layer</b>	HNBR + ferrite
<b>Height (mm)</b>	2 ± 0.1	<b>Hub material</b>	EN1.4305 / AISI 303
<b>Mass (g)</b>	4	<b>Hub thermal expansion coefficient (CTE)</b>	10 × 10 <sup>-6</sup> K <sup>-1</sup>
<b>System error (°)</b>	±0.23		
<b>Maximum speed table</b>	Refer to <a href="#">MR01D04</a>		

### SDE (typical measured value)

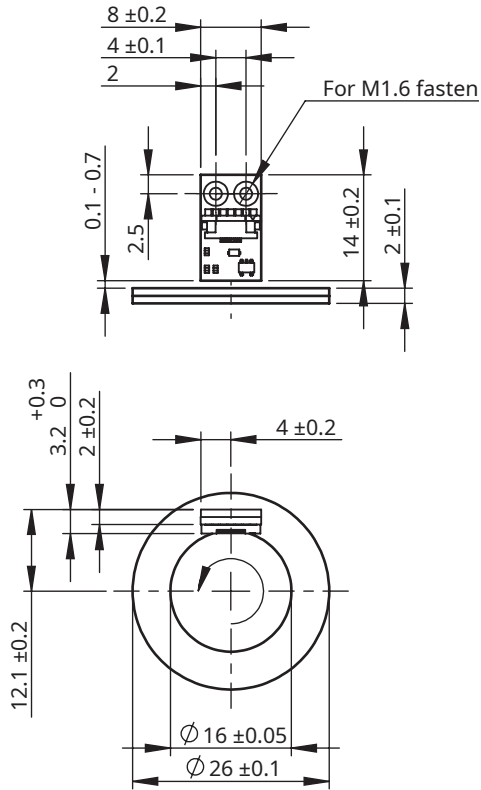


## Dimensions and installation drawings

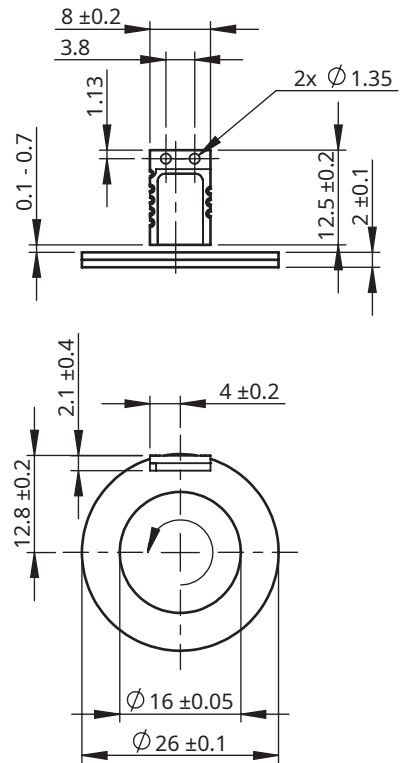
# MR026C ID16

Dimensions and tolerances are in mm. Drawings show the positive direction of rotation of the ring and not the readhead.

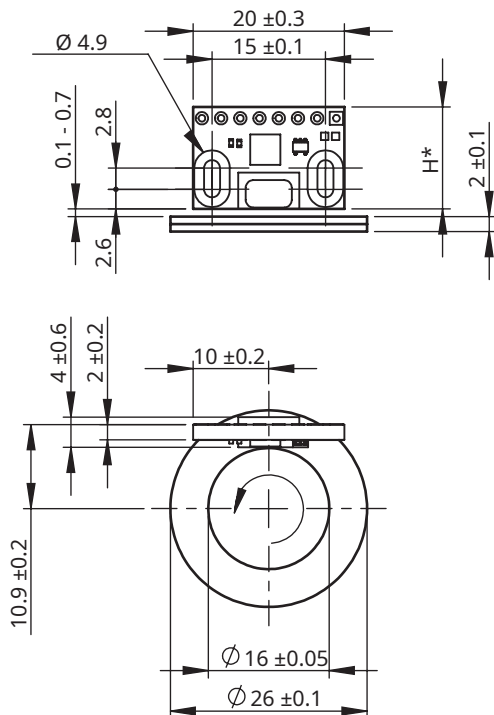
### RLB



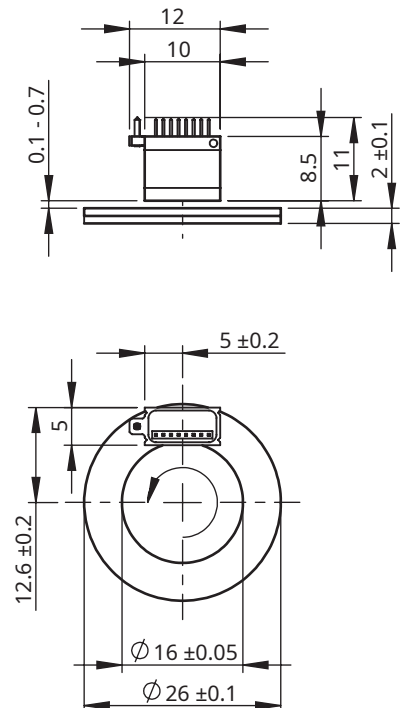
### RLC2HD



### RLC2IC



### RLM



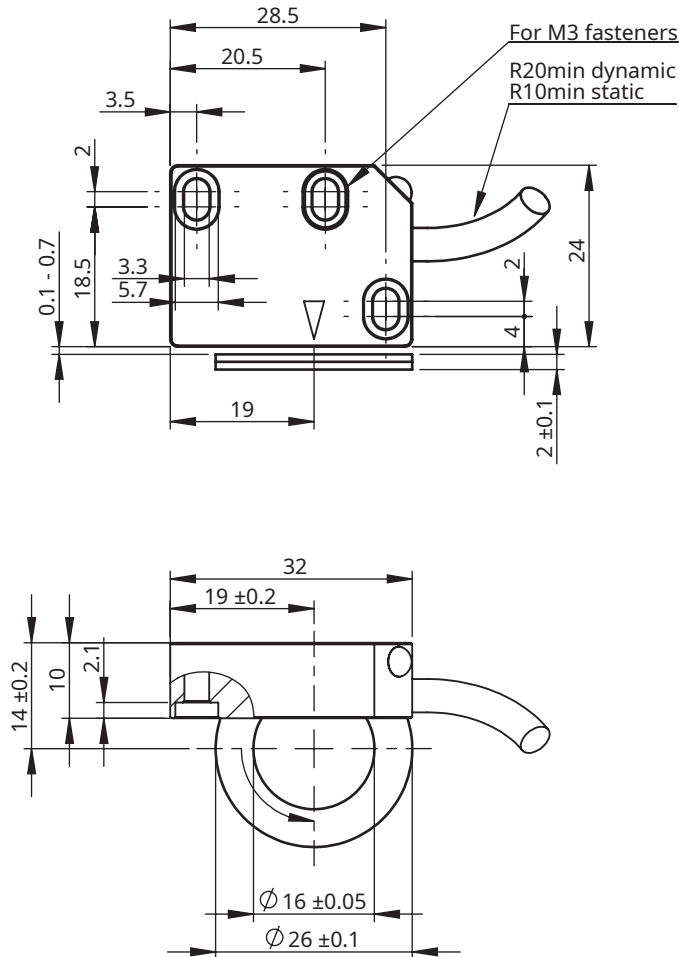
\* For height dimensions see RLC2IC data sheet available at [RLS media center](#).

**Dimensions and installation drawings**

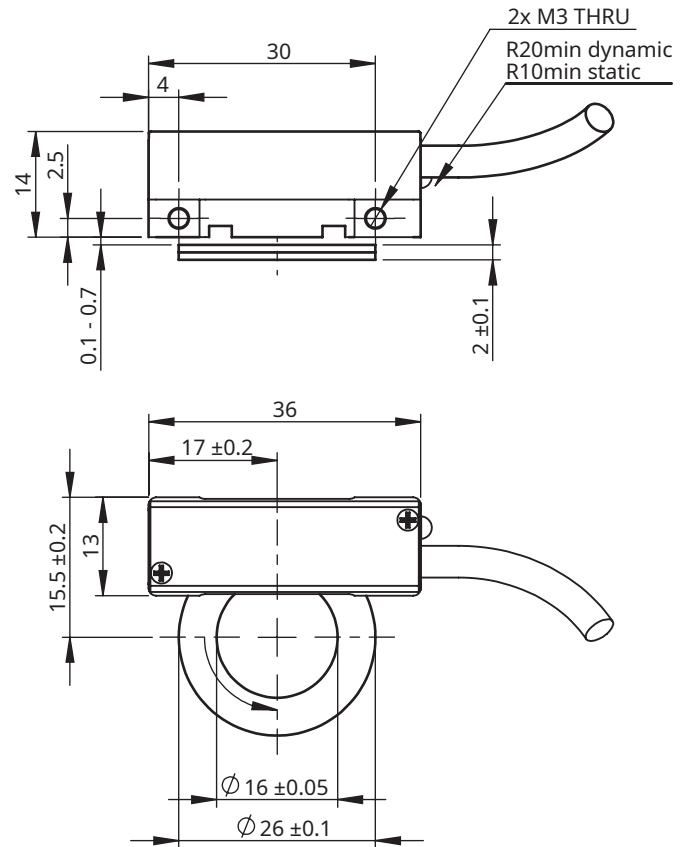
**MR026C ID16**

Dimensions and tolerances are in mm. Drawings show the positive direction of rotation of the ring and not the readhead.

**LM10**



**LM13**



# MR034C

## Compatibility table

	LM10	LM13	LM15	RLB	RLC2HD	RLC2IC	RLM
48 poles, 2 mm width	-	-	-	No Ri	No Ri	No Ri	No Ri

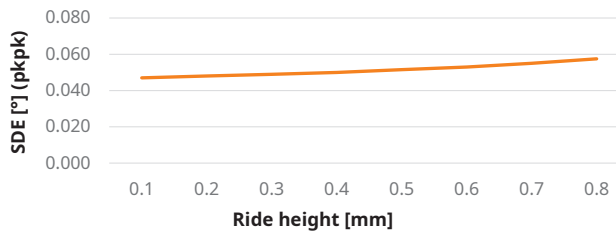
No Ri - No reference mark option, only incremental track available

## Technical specifications

Outer diameter (mm)	34 ± 0.1
Inner diameter (mm)	20.5 H7
Height (mm)	2 ± 0.1
Mass (g)	6
System error (°)	±0.17
Maximum speed table	Refer to <a href="#">MR01D04</a>

Moment of inertia (gmm <sup>2</sup> )	450
Material of magnetic layer	CPE
Hub material	EN1.4016 / AISI 430
Hub thermal expansion coefficient (CTE)	10 × 10 <sup>-6</sup> K <sup>-1</sup>

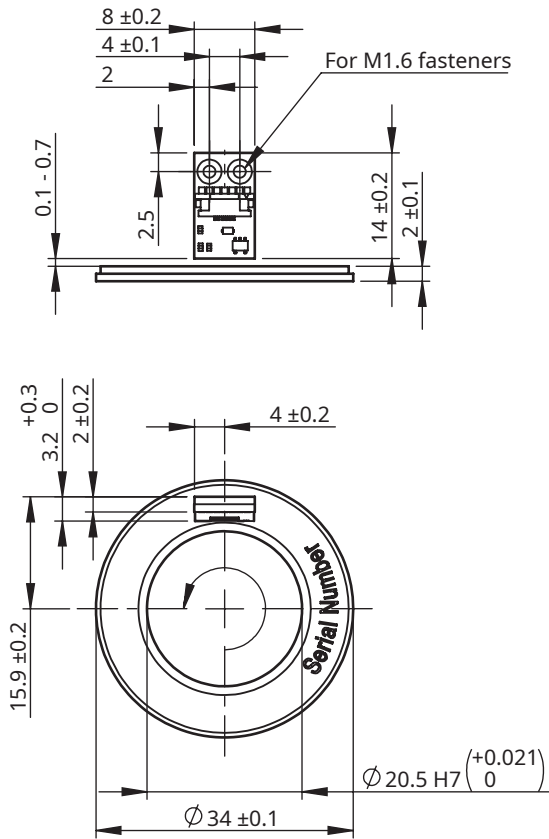
### SDE (typical measured value)



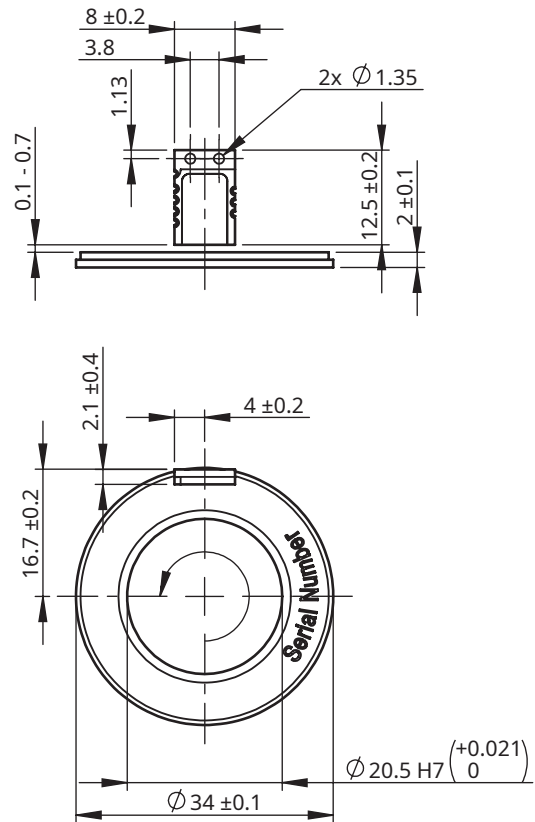
**Dimensions and installation drawings**

Dimensions and tolerances are in mm. Drawings show the positive direction of rotation of the ring and not the readhead.

**RLB**



**RLC2HD**

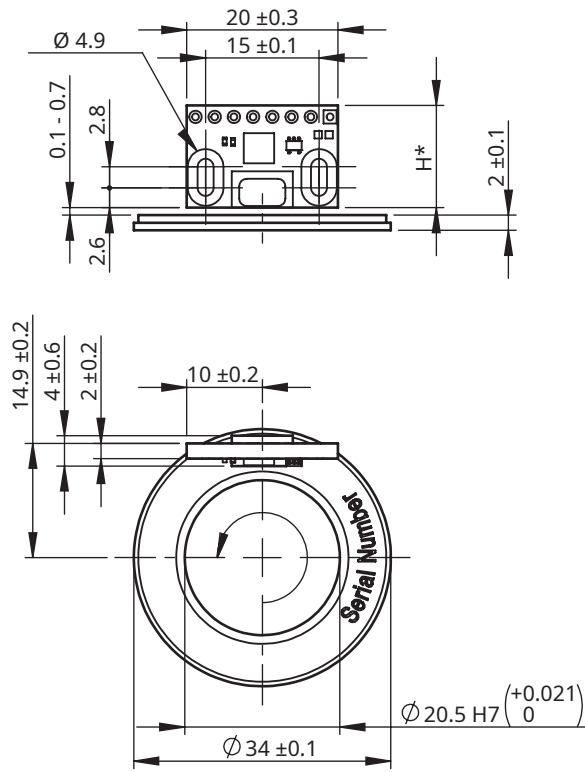


## Dimensions and installation drawings

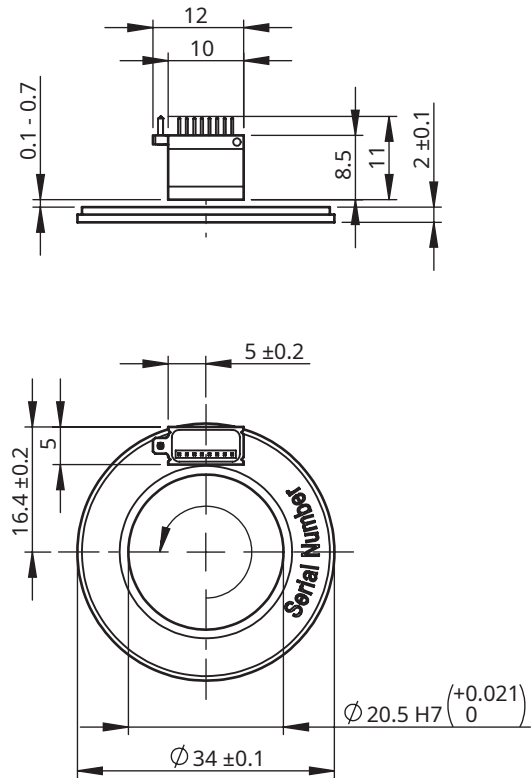
MR034C

Dimensions and tolerances are in mm. Drawings show the positive direction of rotation of the ring and not the readhead.

RLC2IC



RLM



\* For height dimensions see RLC2IC data sheet available at [RLS media center](#).

# MR045C

## Compatibility table

	LM10	LM13	LM15	RLB	RLC2HD	RLC2IC	RLM
64 poles, 2 mm width	No Ri	No Ri	-	No Ri	No Ri	Ri	Ri

Ri - Unique reference mark or only incremental track available

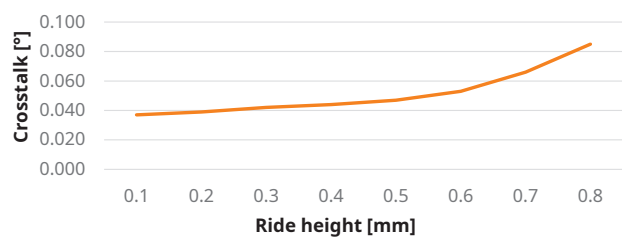
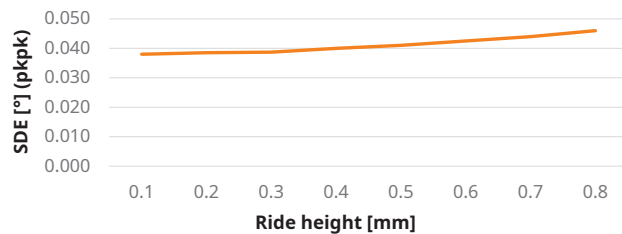
No Ri - No reference mark option, only incremental track available

## Technical specifications

Outer diameter (mm)	45 ± 0.1
Inner diameter (mm)	28.5 H7
Height (mm)	2 ± 0.1
Mass (g)	10
System error (°)	±0.13
Maximum speed table	Refer to <a href="#">MR01D04</a>

Moment of inertia (gmm <sup>2</sup> )	450
Material of magnetic layer	CPE
Hub material	EN1.4016 / AISI 430
Hub thermal expansion coefficient (CTE)	10 × 10 <sup>-6</sup> K <sup>-1</sup>

### SDE and crosstalk (typical measured value)

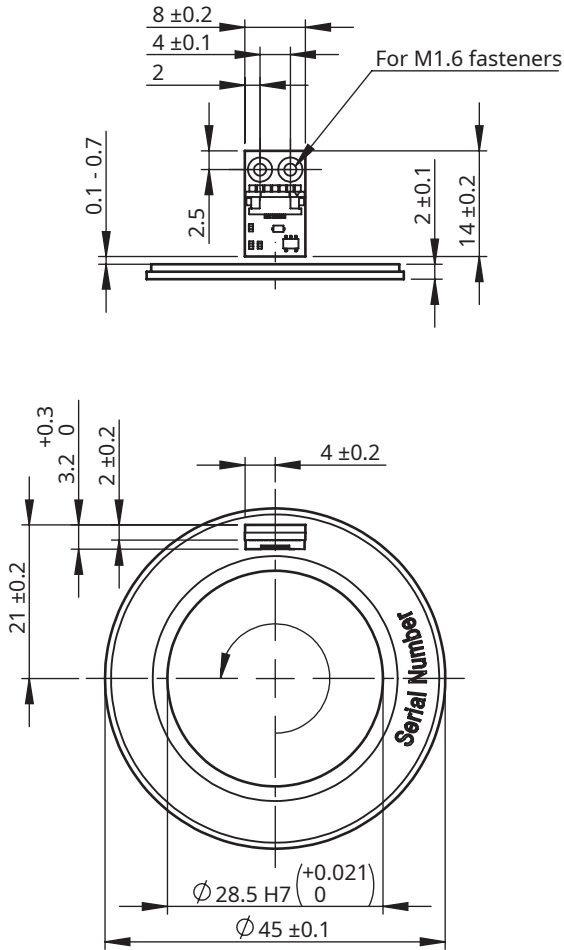


## Dimensions and installation drawings

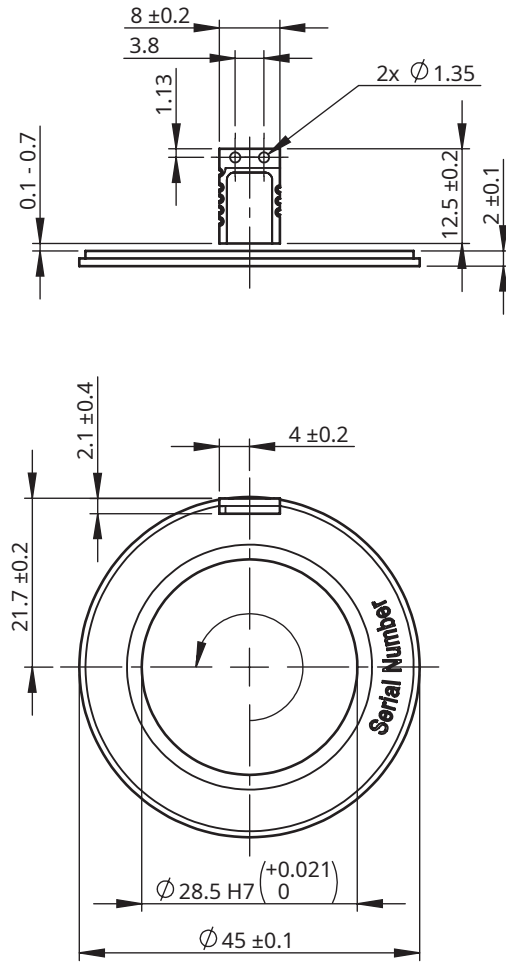
Dimensions and tolerances are in mm. Drawings show the positive direction of rotation of the ring and not the readhead.

# MR045C

### RLB



### RLC2HD



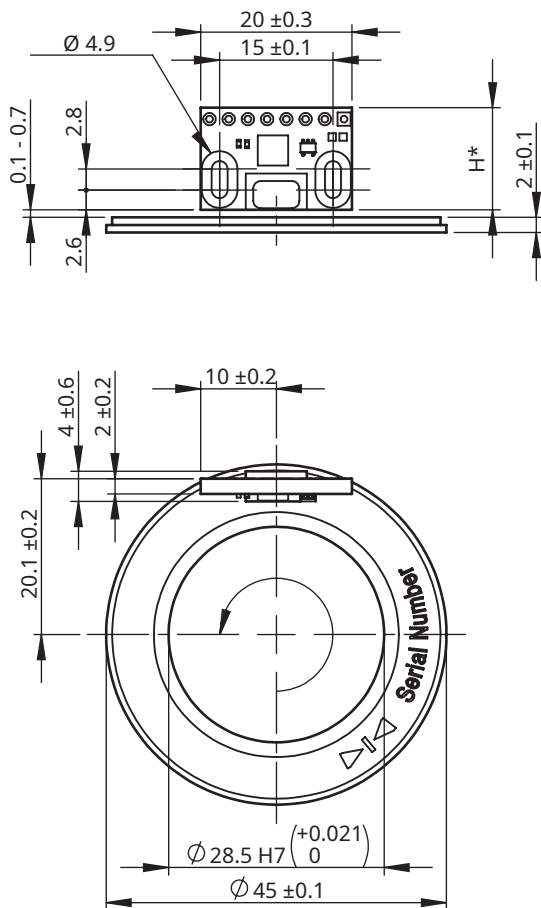


**Dimensions and installation drawings**

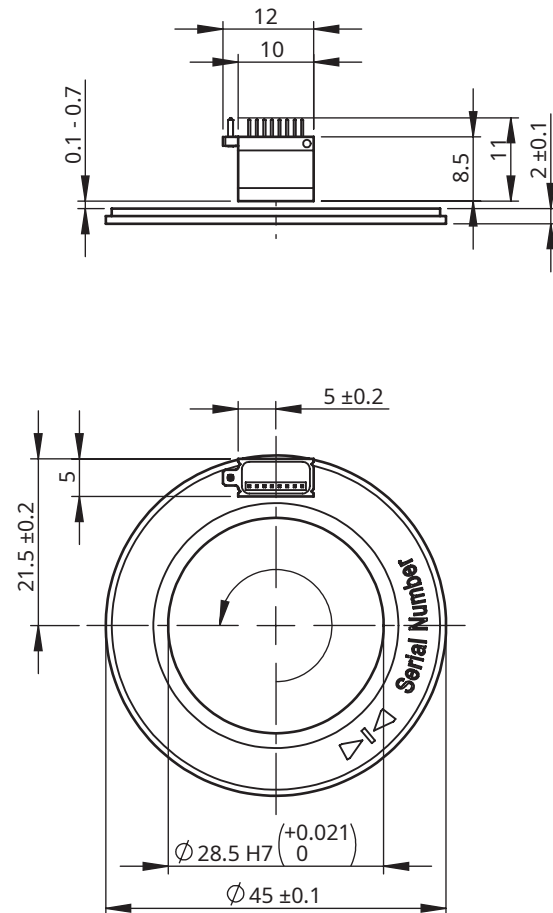
**MR045C**

Dimensions and tolerances are in mm. Drawings show the positive direction of rotation of the ring and not the readhead.

**RLC2IC**



**RLM**



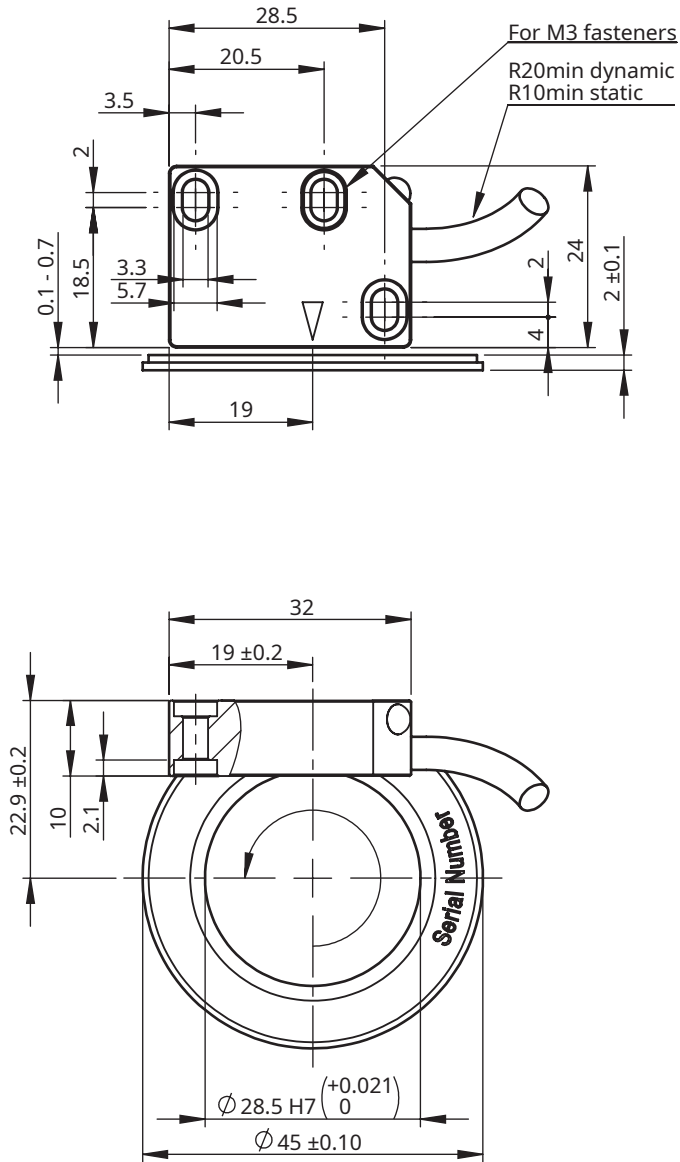
\* For height dimensions see RLC2IC data sheet available at **RLS media center**.

## Dimensions and installation drawings

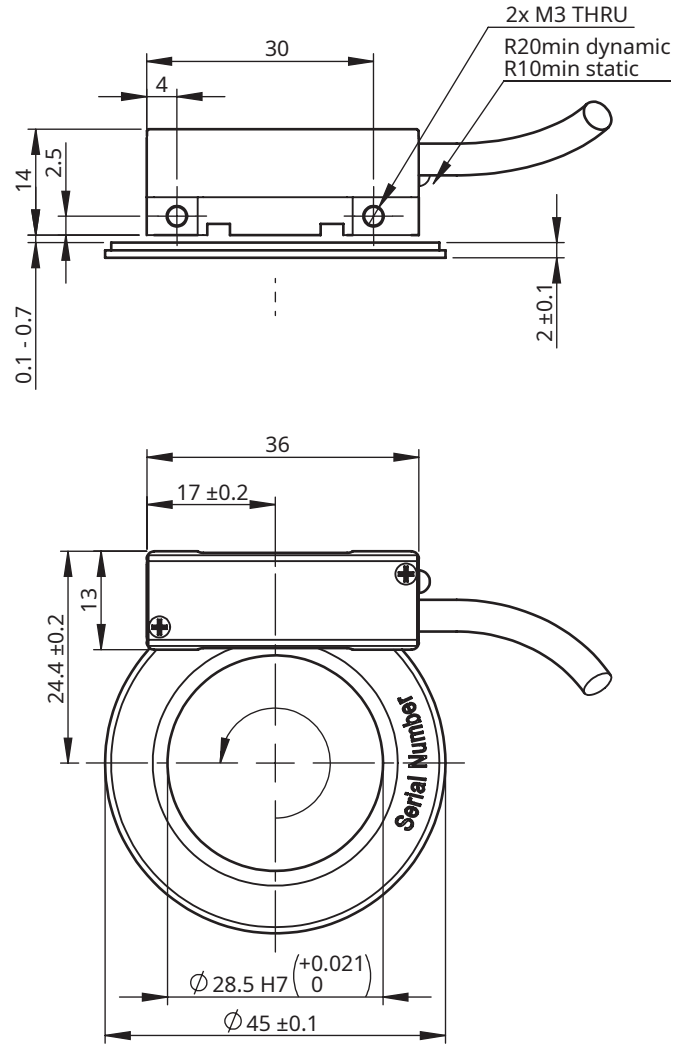
Dimensions and tolerances are in mm. Drawings show the positive direction of rotation of the ring and not the readhead.

# MR045C

### LM10



### LM13



# MR049N

## Compatibility table

	LM10	LM13	LM15	RLB	RLC2HD	RLC2IC	RLM
72 poles, 2 mm width	No Ri	No Ri	-	No Ri	No Ri	Ri	Ri

Ri - Unique reference mark or only incremental track available

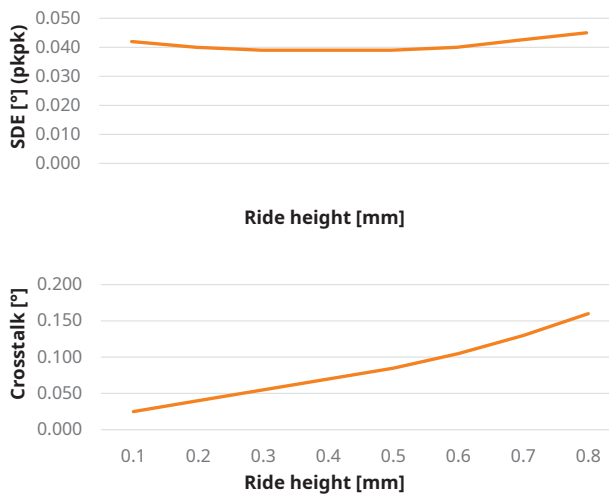
No Ri - No reference mark option, only incremental track available

## Technical specifications

Outer diameter (mm)	49 ± 0.
Inner diameter (mm)	25 H7
Height (mm)	2 ± 0.1
Mass (g)	13
System error (°)	±0.11
Maximum speed table	Refer to <a href="#">MR01D04</a>

Moment of inertia (gmm <sup>2</sup> )	3.500
Material of magnetic layer	CPE
Hub material	EN1.4016 / AISI 430
Hub thermal expansion coefficient (CTE)	10 × 10 <sup>-6</sup> K <sup>-1</sup>

### SDE and crosstalk (typical measured value)

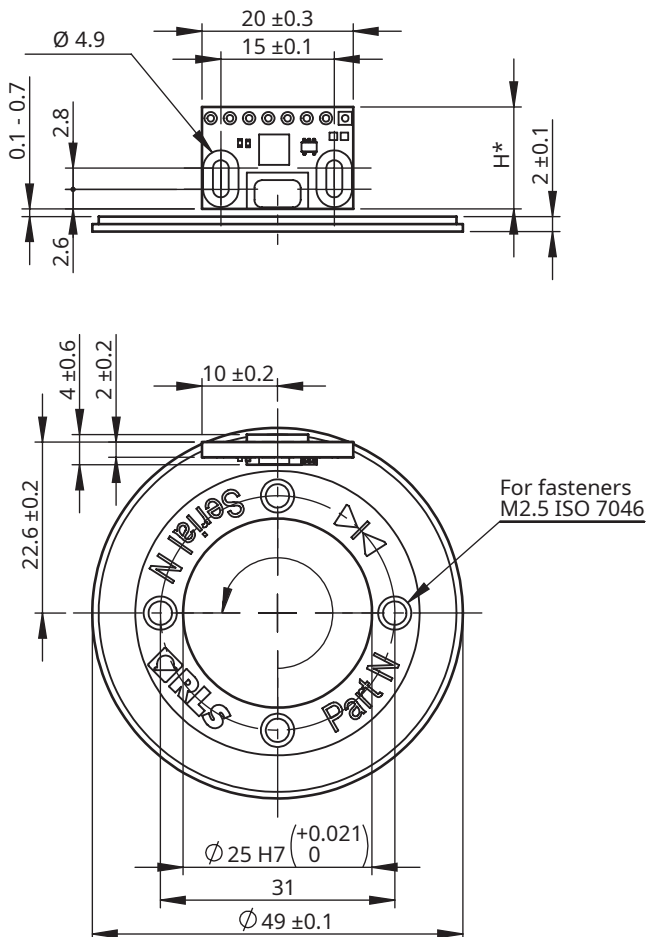




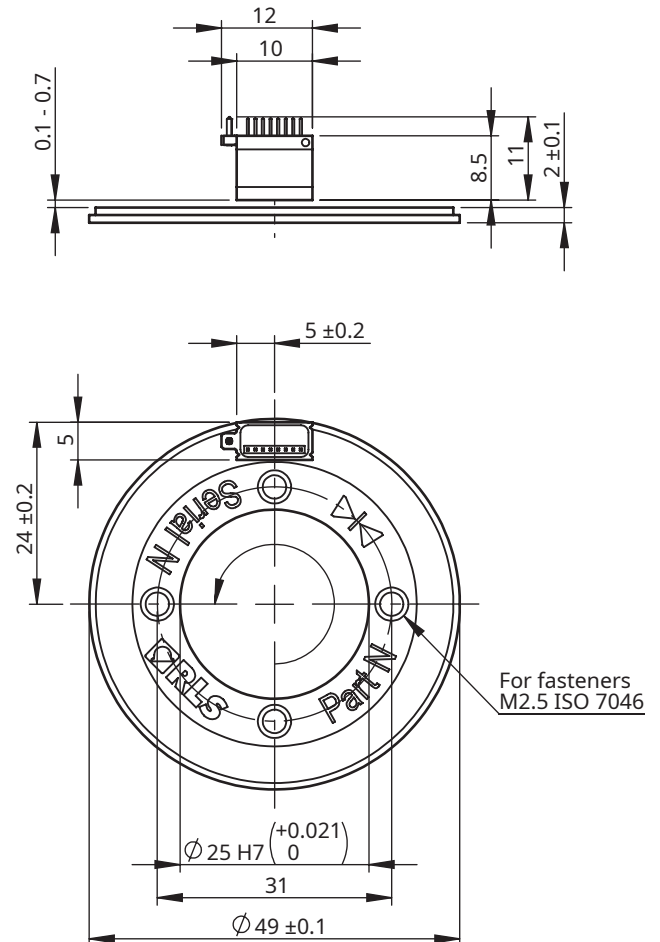
**Dimensions and installation drawings**

Dimensions and tolerances are in mm. Drawings show the positive direction of rotation of the ring and not the readhead.

**RLC2IC**



**RLM**



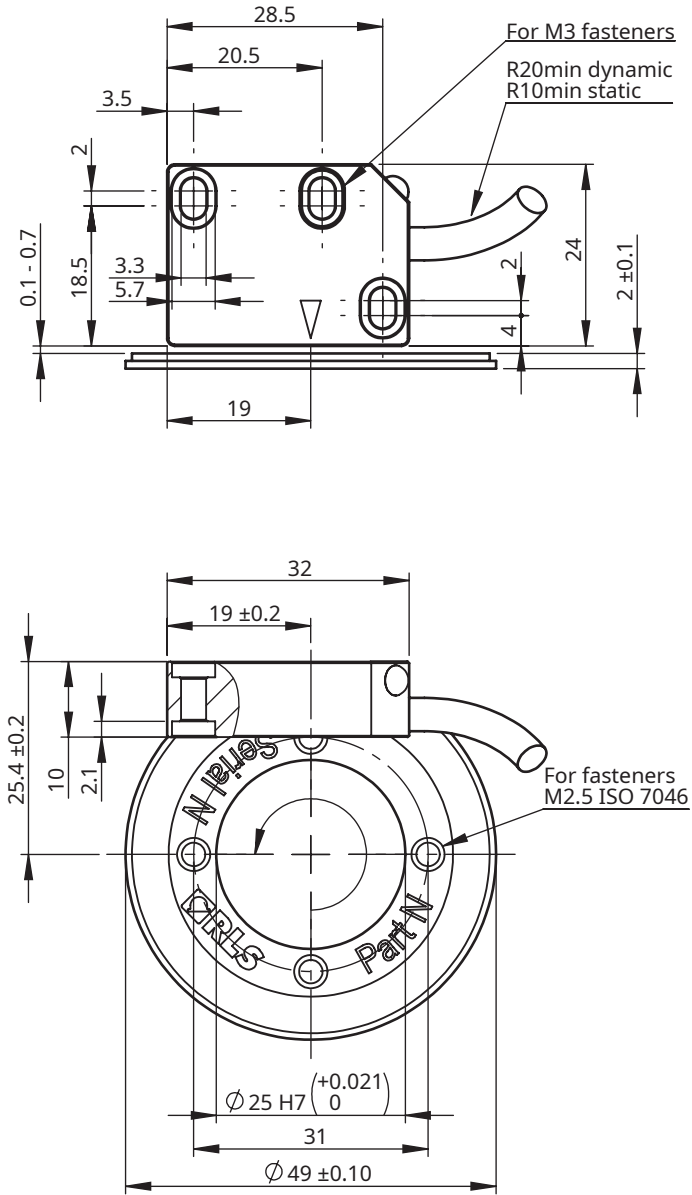
\* For height dimensions see RLC2IC data sheet available at [RLS media center](#).

## Dimensions and installation drawings

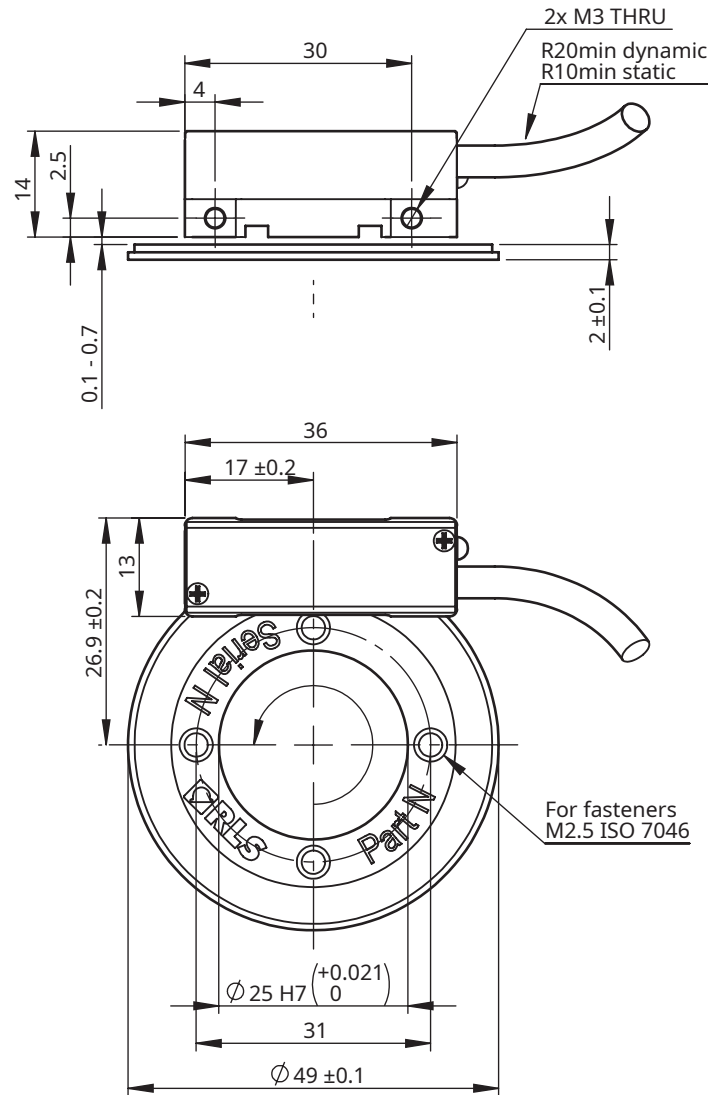
Dimensions and tolerances are in mm. Drawings show the positive direction of rotation of the ring and not the readhead.

# MR049N

### LM10



### LM13



# MR050C

## Compatibility table

	LM10	LM13	LM15	RLB	RLC2HD	RLC2IC	RLM
72 poles, 2 mm width	No Ri	No Ri	-	No Ri	No Ri	Ri	Ri

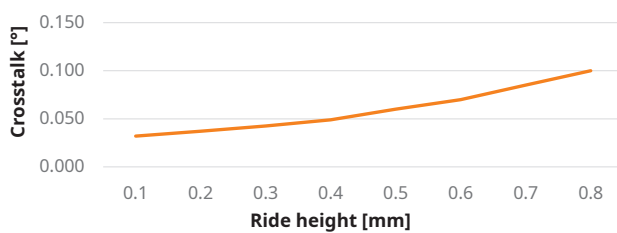
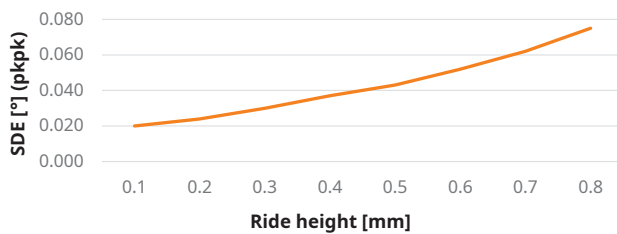
Ri - Unique reference mark or only incremental track available  
 No Ri - No reference mark option, only incremental track available

## Technical specifications

Outer diameter (mm)	50 ± 0.1
Inner diameter (mm)	40 H7 (+0.025/0)
Height (mm)	2 ± 0.1
Mass (g)	8
System error (°)	±0.11
Maximum speed table	Refer to <a href="#">MR01D04</a>

Moment of inertia (gmm <sup>2</sup> )	3.880
Material of magnetic layer	CPE
Hub material	EN 1.4305 / AISI 303
Hub thermal expansion coefficient (CTE)	10 × 10 <sup>-6</sup> K <sup>-1</sup>

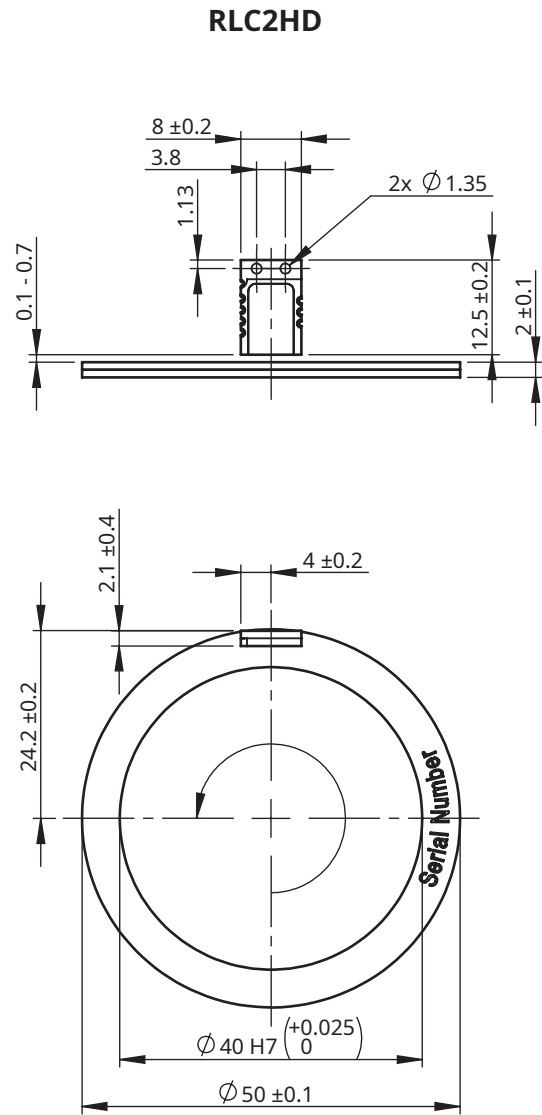
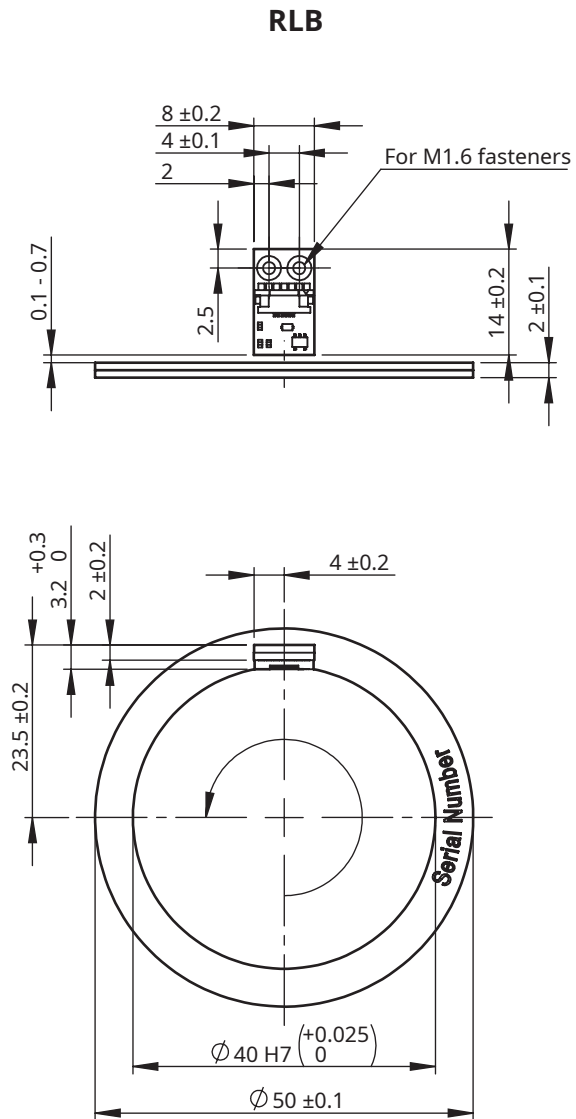
### SDE and crosstalk (typical measured value)



## Dimensions and installation drawings

MR050C

Dimensions and tolerances are in mm. Drawings show the positive direction of rotation of the ring and not the readhead.

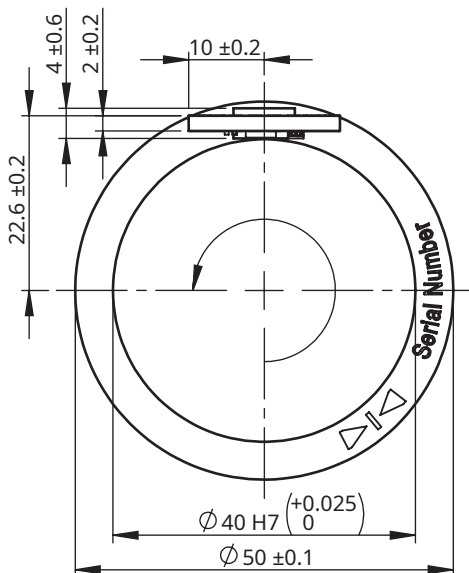
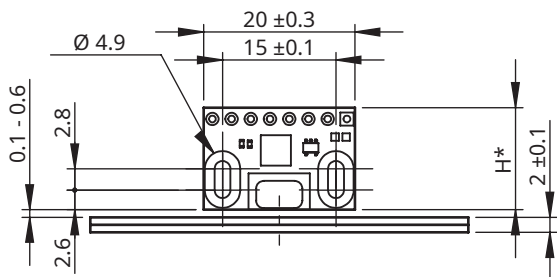




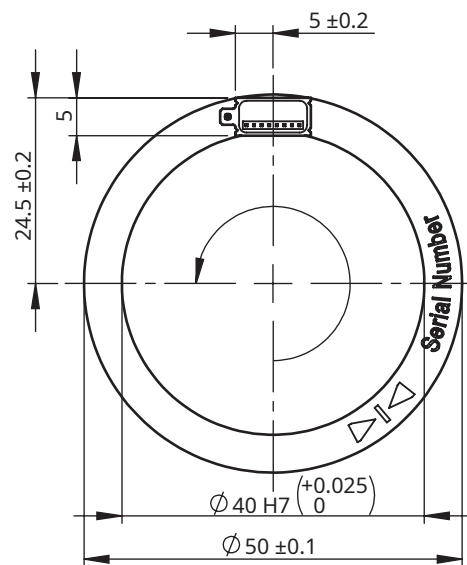
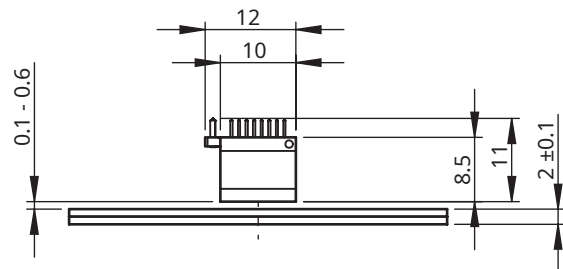
**Dimensions and installation drawings**

Dimensions and tolerances are in mm. Drawings show the positive direction of rotation of the ring and not the readhead.

**RLC2IC**



**RLM**



\* For height dimensions see RLC2IC data sheet available at **RLS media center**.



# MR061C

## Compatibility table

	LM10	LM13	LM15	RLB	RLC2HD	RLC2IC	RLM
92 poles, 2 mm width	No Ri	No Ri	-	No Ri	No Ri	Ri	Ri

Ri - Unique reference mark or only incremental track available

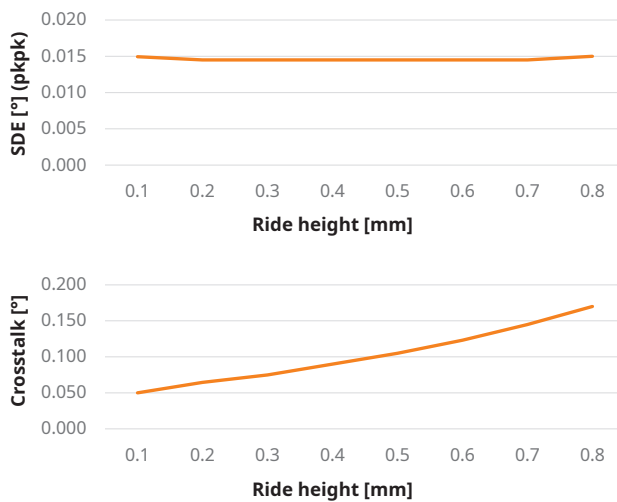
No Ri - No reference mark option, only incremental track available

## Technical specifications

Outer diameter (mm)	61.3 ±0.1
Inner diameter (mm)	51.3 H7
Height (mm)	2 ±0.1
Mass (g)	10
System error (°)	±0.09
Maximum speed table	Refer to <a href="#">MR01D04</a>

Moment of inertia (gmm <sup>2</sup> )	7.560
Material of magnetic layer	CPE
Hub material	EN 1.4016 / AISI 430
Hub thermal expansion coefficient (CTE)	10 × 10 <sup>-6</sup> K <sup>-1</sup>

### SDE and crosstalk (typical measured value)

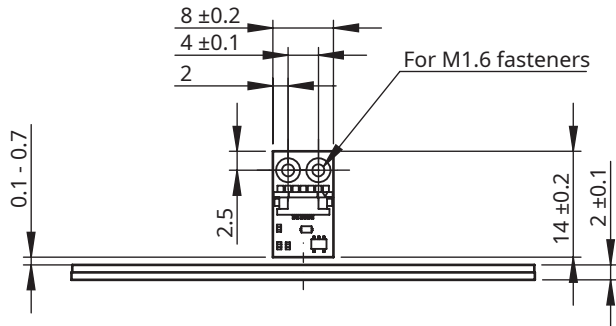


## Dimensions and installation drawings

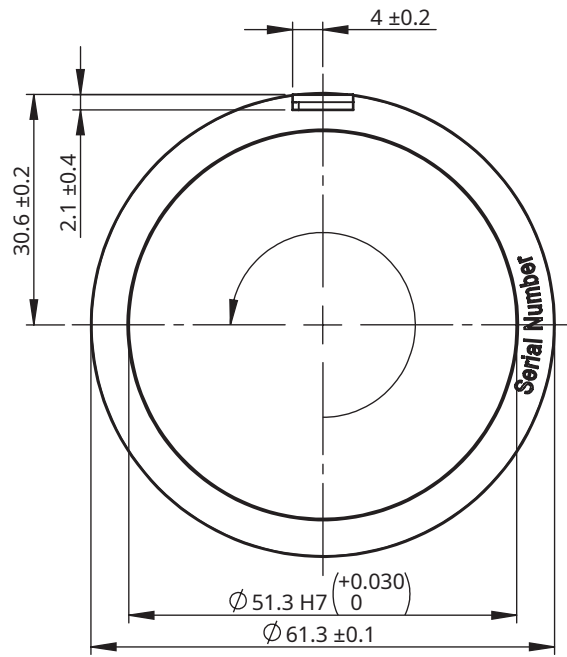
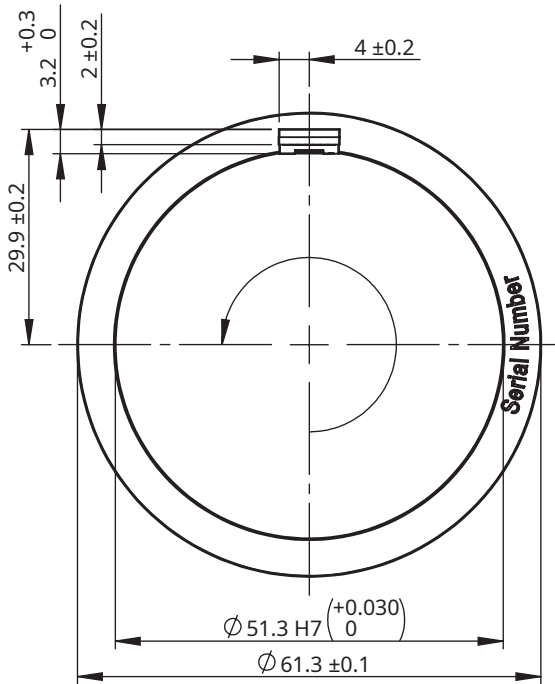
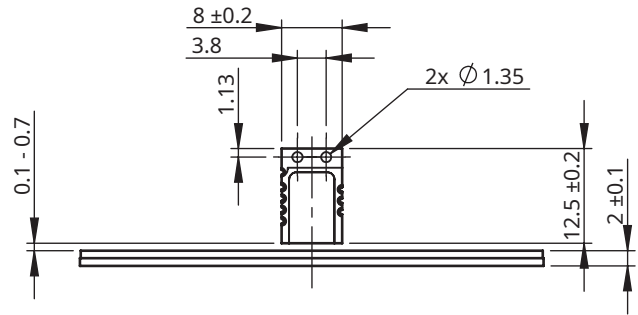
MR061C

Dimensions and tolerances are in mm. Drawings show the positive direction of rotation of the ring and not the readhead.

**RLB**



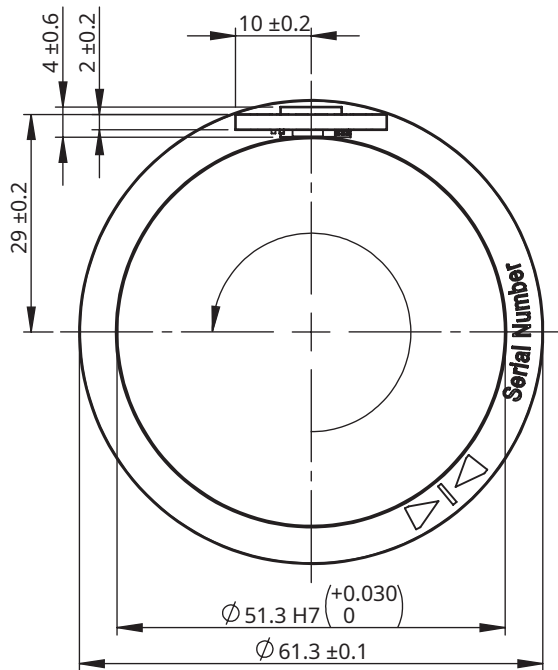
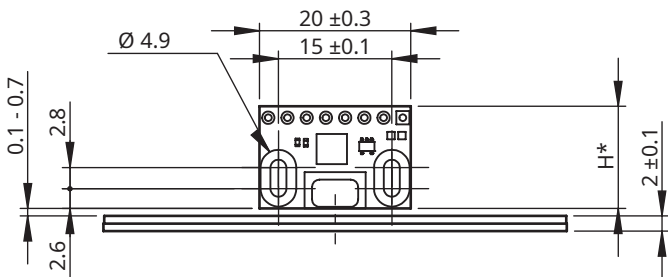
**RLC2HD**



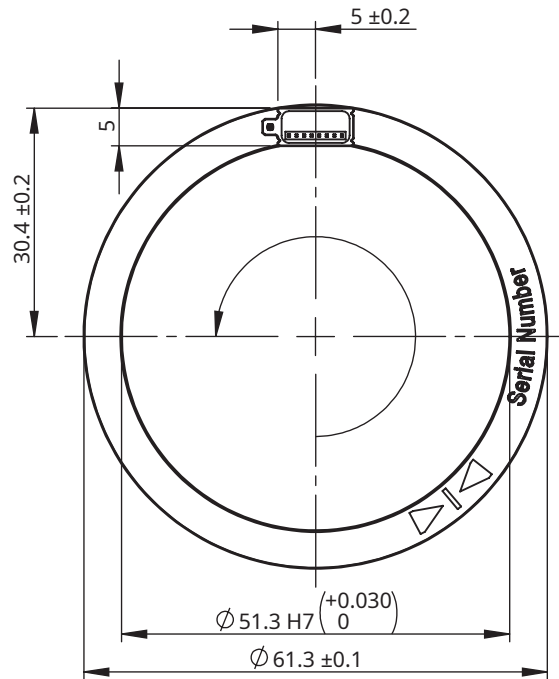
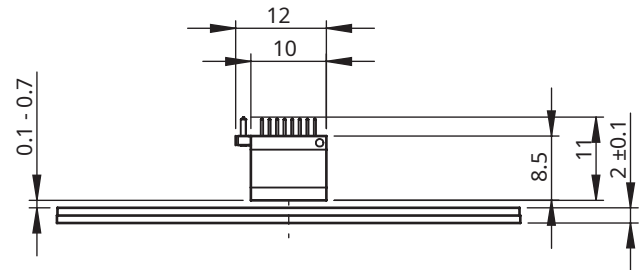
**Dimensions and installation drawings**

Dimensions and tolerances are in mm. Drawings show the positive direction of rotation of the ring and not the readhead.

**RLC2IC**



**RLM**



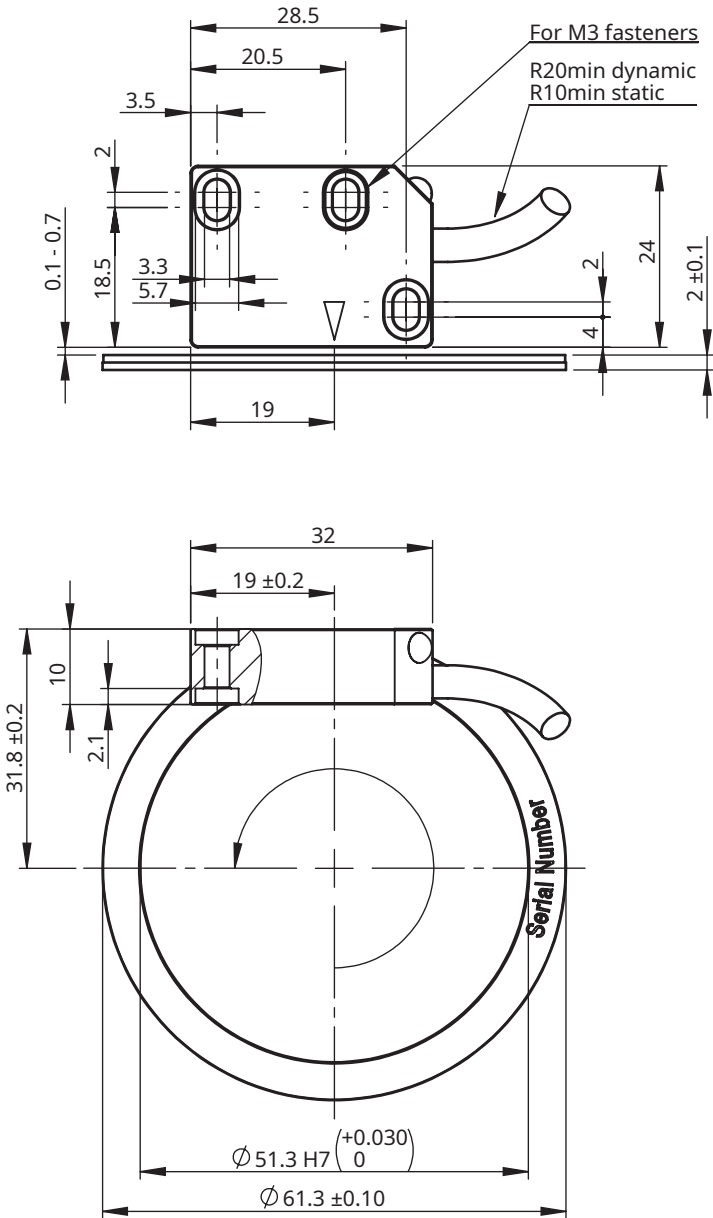
\* For height dimensions see RLC2IC data sheet available at **RLS media center**.

## Dimensions and installation drawings

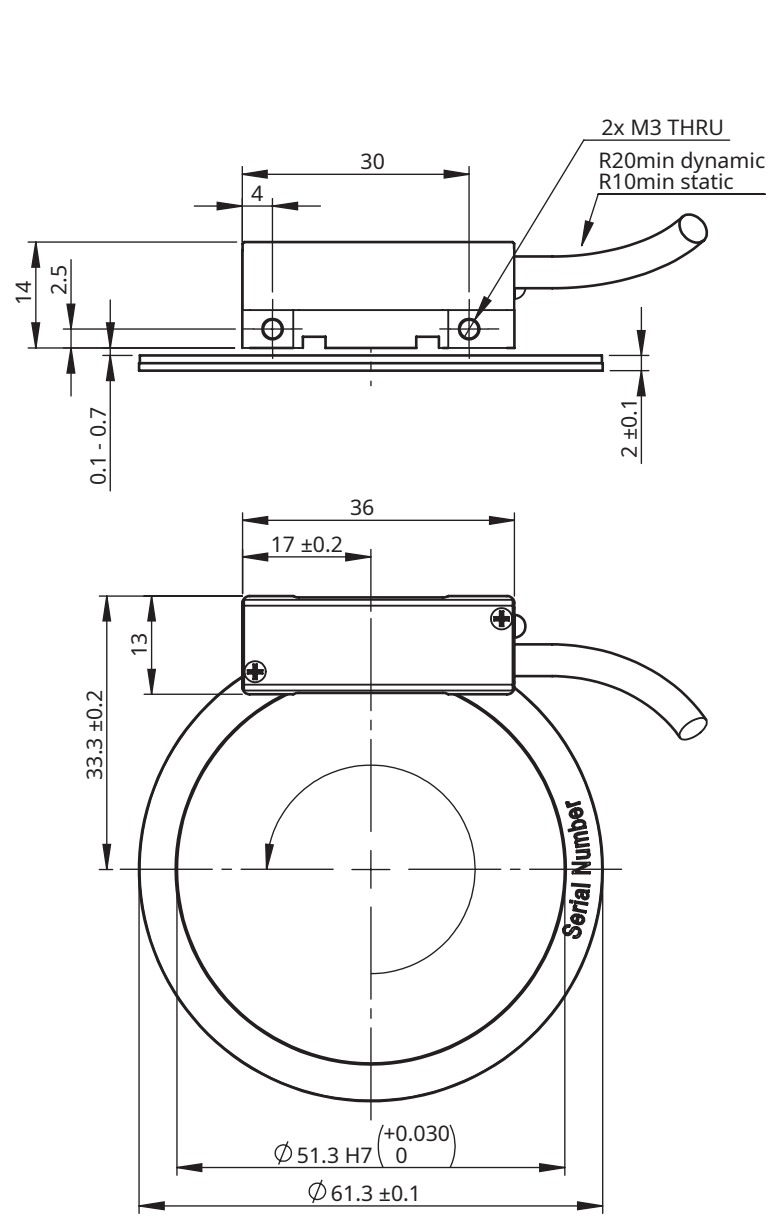
Dimensions and tolerances are in mm. Drawings show the positive direction of rotation of the ring and not the readhead.

# MR061C

### LM10



### LM13



# MR080N

## Compatibility table

	LM10	LM13	LM15	RLB	RLC2HD	RLC2IC	RLM
122 poles, 2 mm width	No Ri	No Ri	-	No Ri	No Ri	Ri	Ri

Ri - Unique reference mark or only incremental track available

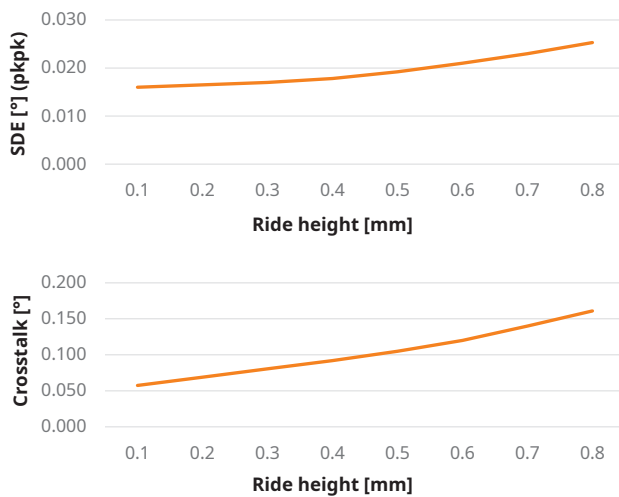
No Ri - No reference mark option, only incremental track available

## Technical specifications

Outer diameter (mm)	80 ±0.1
Inner diameter (mm)	55 H7
Height (mm)	2 ±0.1
Mass (g)	24
System error (°)	±0.07
Maximum speed table	Refer to <a href="#">MR01D04</a>

Moment of inertia (gmm <sup>2</sup> )	32.700
Material of magnetic layer	CPE
Hub material	EN 1.4016 / AISI 430
Hub thermal expansion coefficient (CTE)	10 × 10 <sup>-6</sup> K <sup>-1</sup>

### SDE and crosstalk (typical measured value)



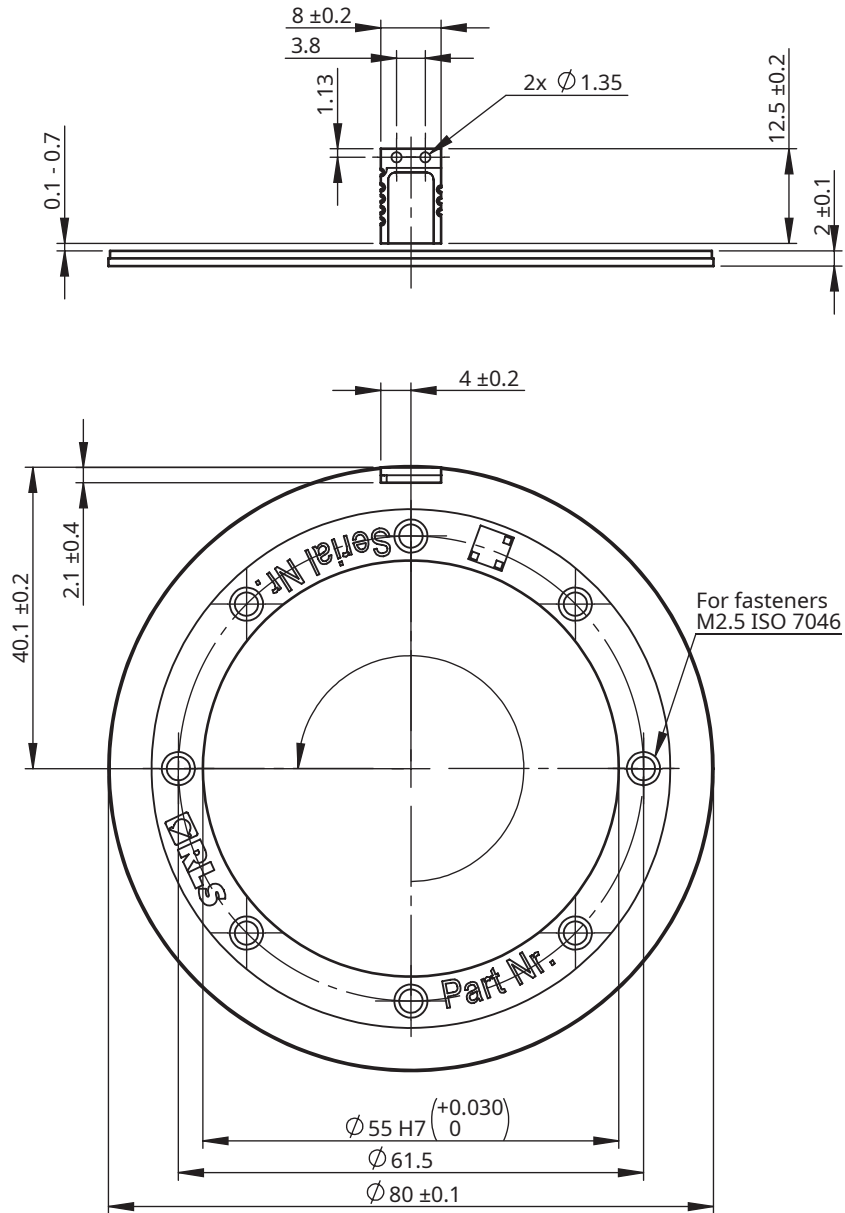




**Dimensions and installation drawings**

Dimensions and tolerances are in mm. Drawings show the positive direction of rotation of the ring and not the readhead.

**RLC2HD**

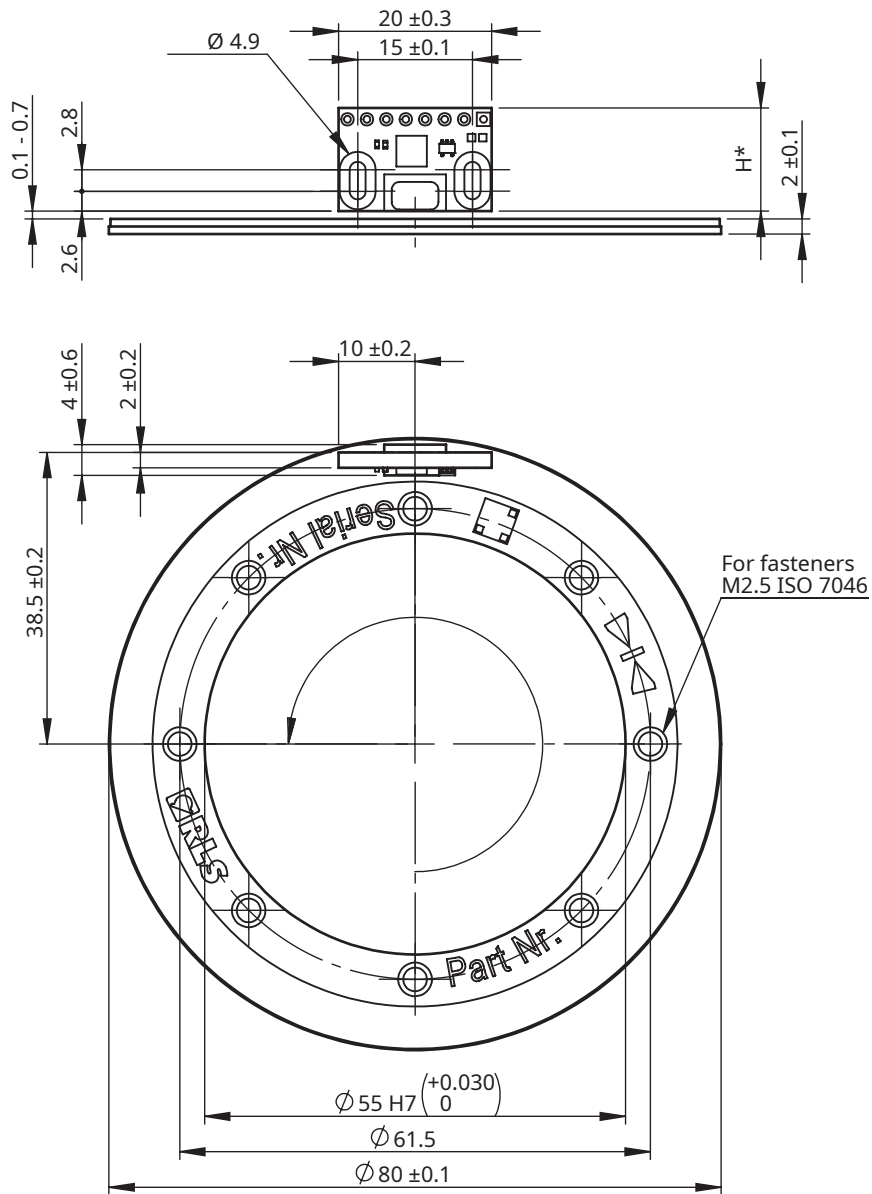


## Dimensions and installation drawings

MR080N

Dimensions and tolerances are in mm. Drawings show the positive direction of rotation of the ring and not the readhead.

### RLC2IC

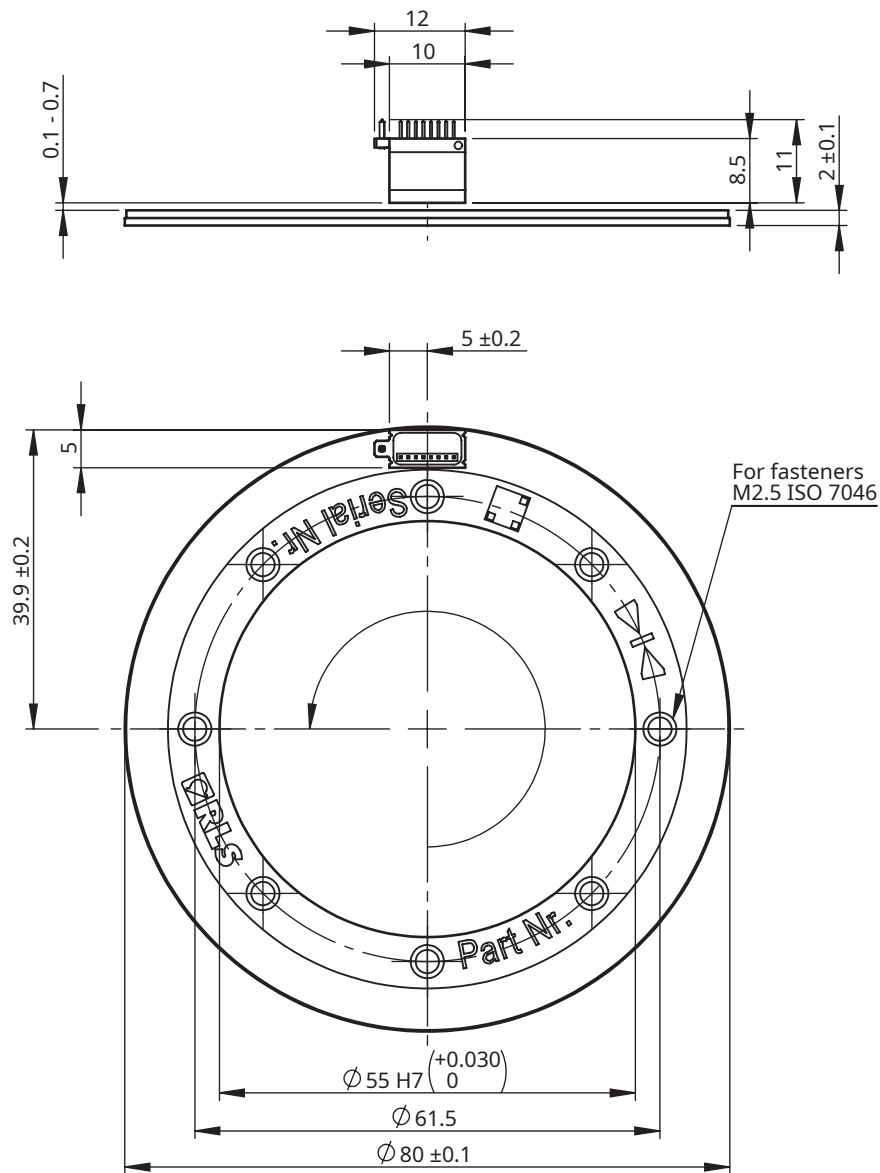


\* For height dimensions see RLC2IC data sheet available at **RLS media center**.

**Dimensions and installation drawings**

Dimensions and tolerances are in mm. Drawings show the positive direction of rotation of the ring and not the readhead.

**RLM**

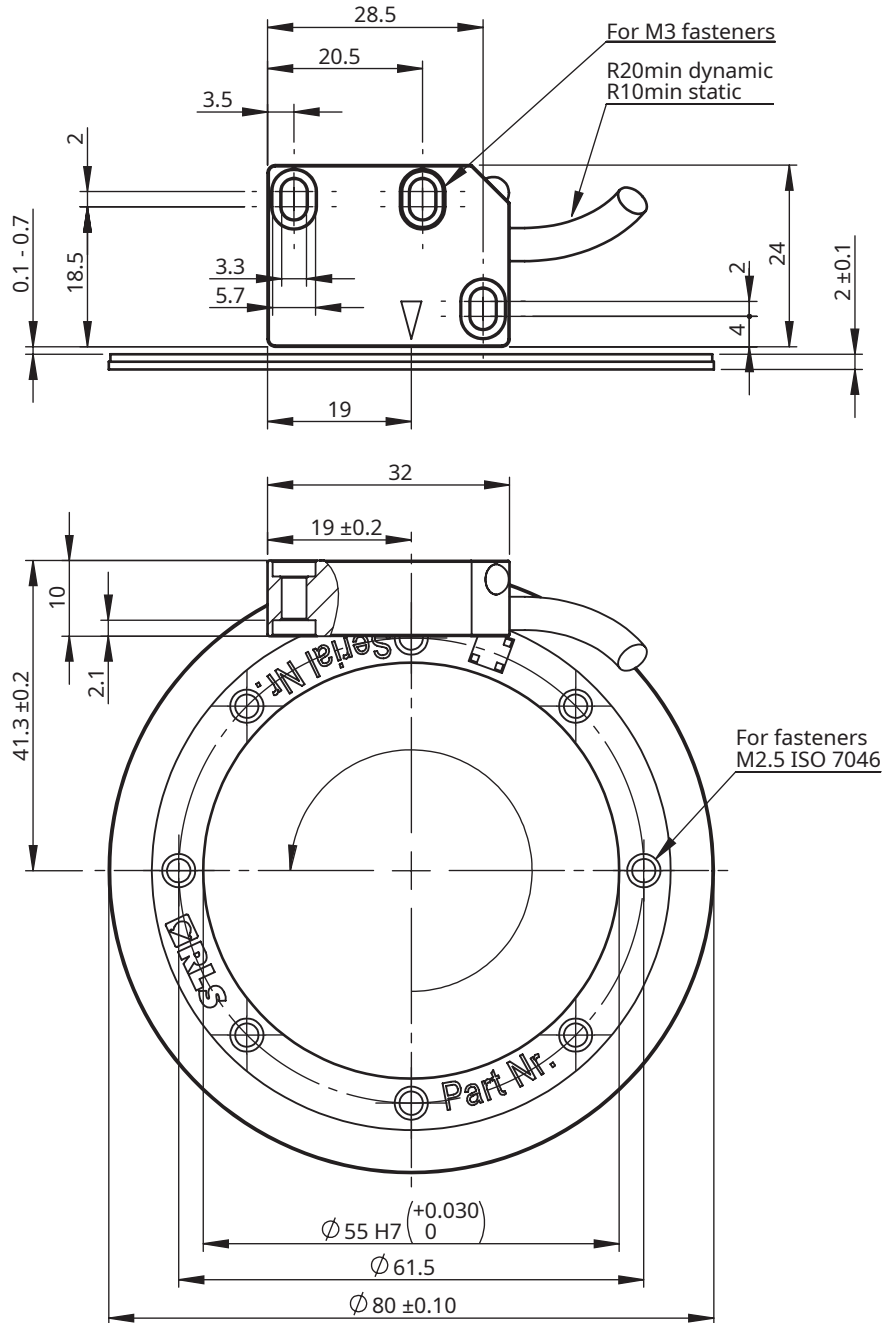


## Dimensions and installation drawings

MR080N

Dimensions and tolerances are in mm. Drawings show the positive direction of rotation of the ring and not the readhead.

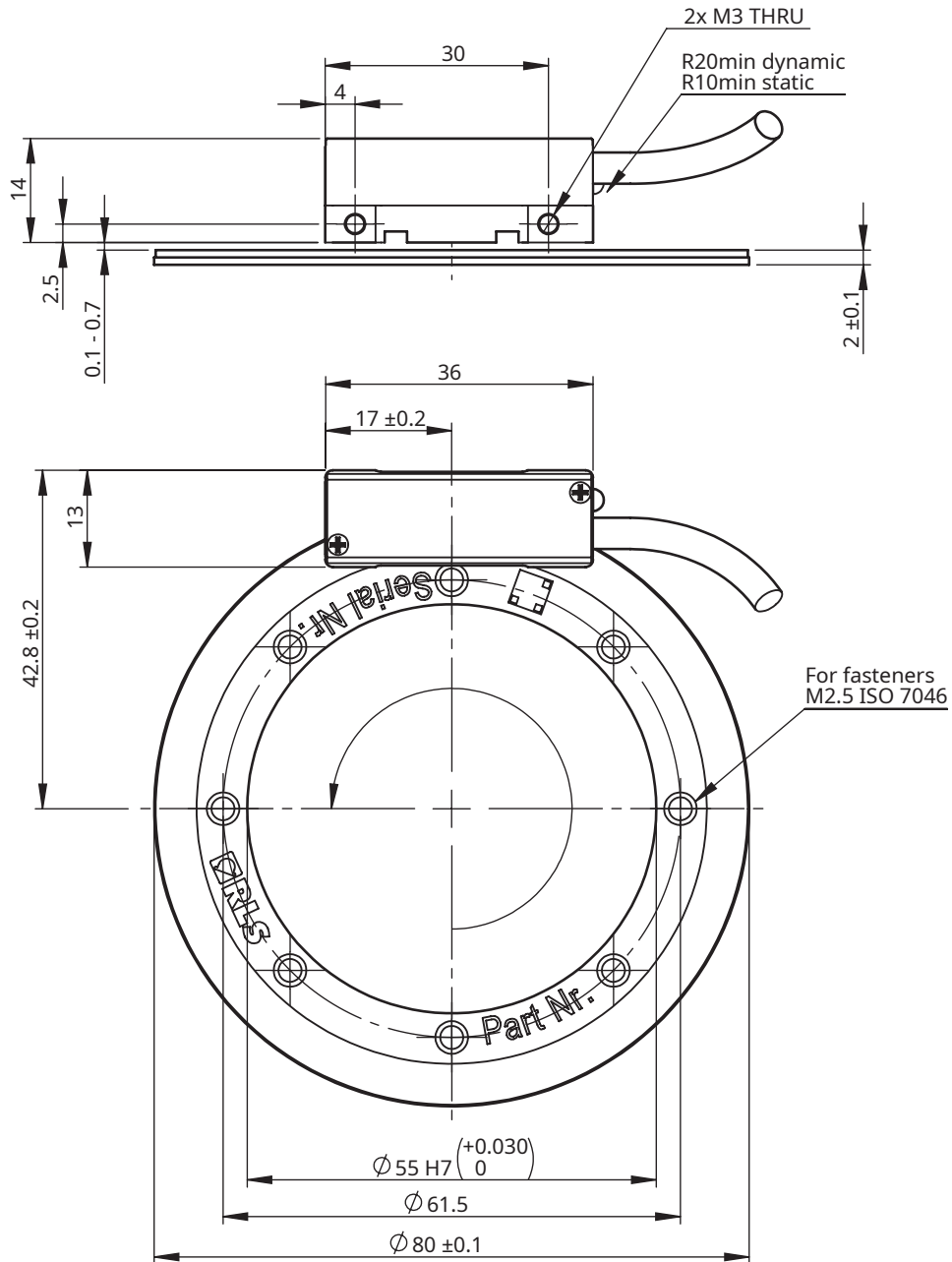
### LM10



**Dimensions and installation drawings**

Dimensions and tolerances are in mm. Drawings show the positive direction of rotation of the ring and not the readhead.

**LM13**



# MR100S

## Compatibility table

	LM10	LM13	LM15	RLB	RLC2HD	RLC2IC	RLM
152 poles, 2 mm width	No Ri	No Ri	-	No Ri	No Ri	Ri	Ri

Ri - Unique reference mark or only incremental track available

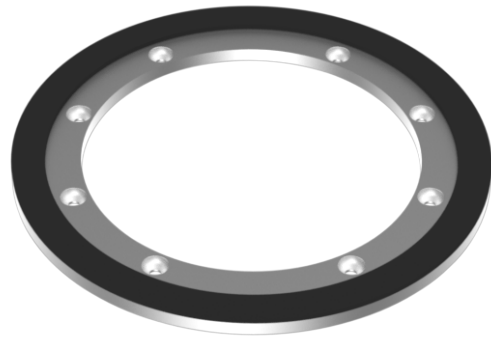
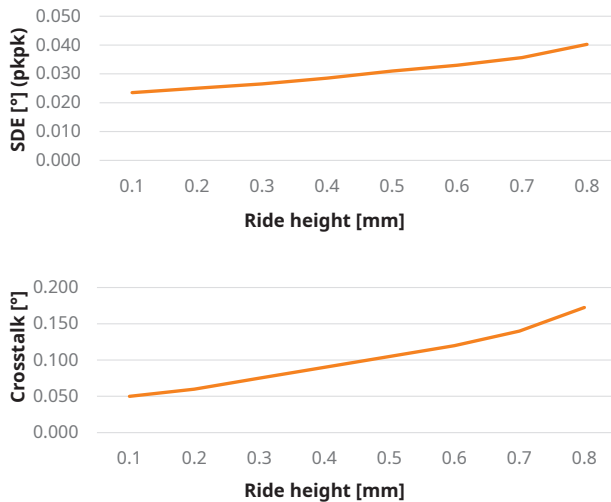
No Ri - No reference mark option, only incremental track available

## Technical specifications

Outer diameter (mm)	100 ±0.1
Inner diameter (mm)	71 H7
Height (mm)	4 ±0.1
Mass (g)	95
System error (°)	±0.05
Maximum speed table	Refer to <a href="#">MR01D04</a>

Moment of inertia (gmm <sup>2</sup> )	180.000 gmm <sup>2</sup>
Material of magnetic layer	CPE
Hub material	EN 1.4021 / AISI 420
Hub thermal expansion coefficient (CTE)	11 × 10 <sup>-6</sup> K <sup>-1</sup>

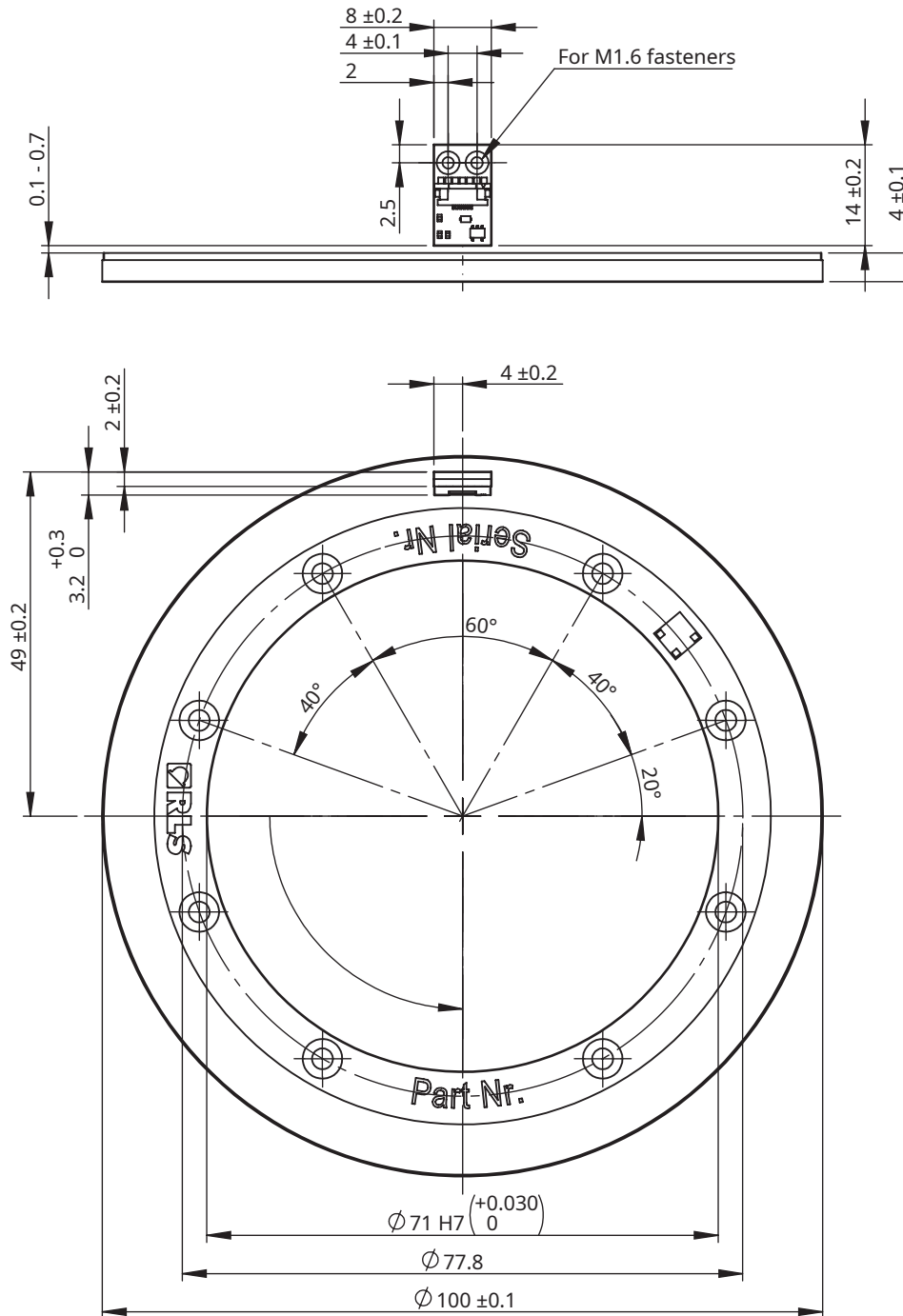
### SDE and crosstalk (typical measured value)



**Dimensions and installation drawings**

Dimensions and tolerances are in mm. Drawings show the positive direction of rotation of the ring and not the readhead.

**RLB**

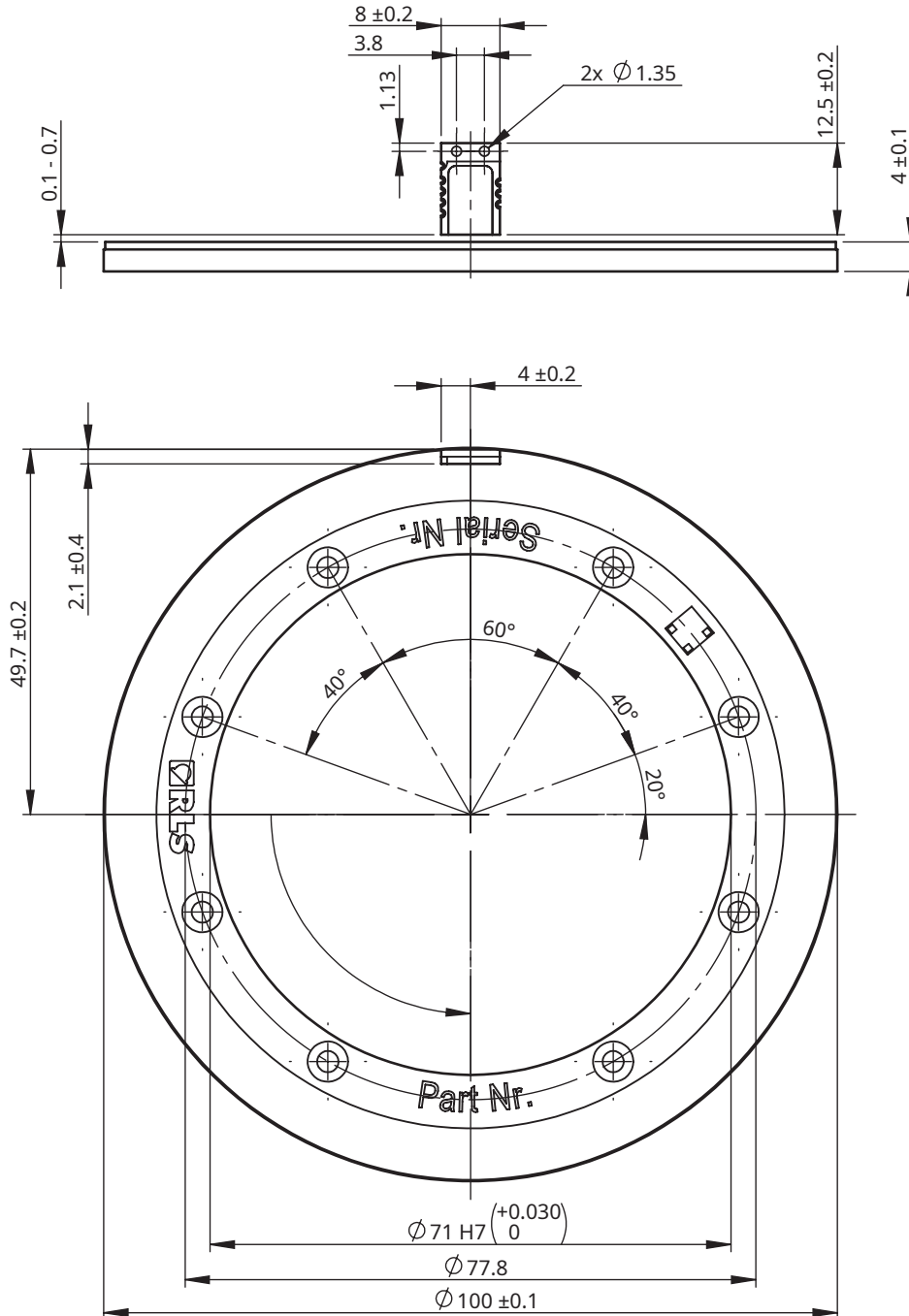


## Dimensions and installation drawings

Dimensions and tolerances are in mm. Drawings show the positive direction of rotation of the ring and not the readhead.

# MR100S

### RLC2HD

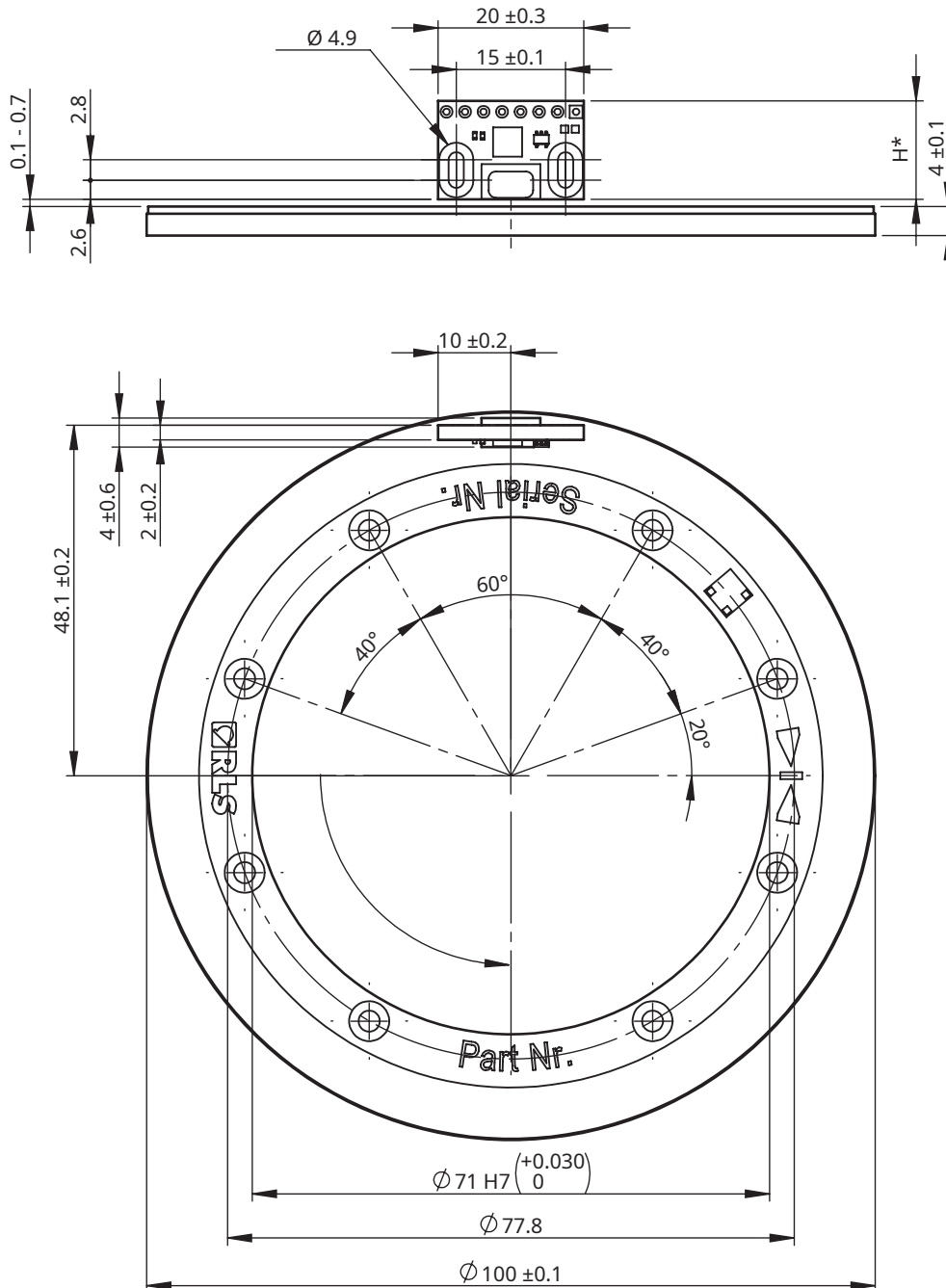




**Dimensions and installation drawings**

Dimensions and tolerances are in mm. Drawings show the positive direction of rotation of the ring and not the readhead.

**RLC2IC**



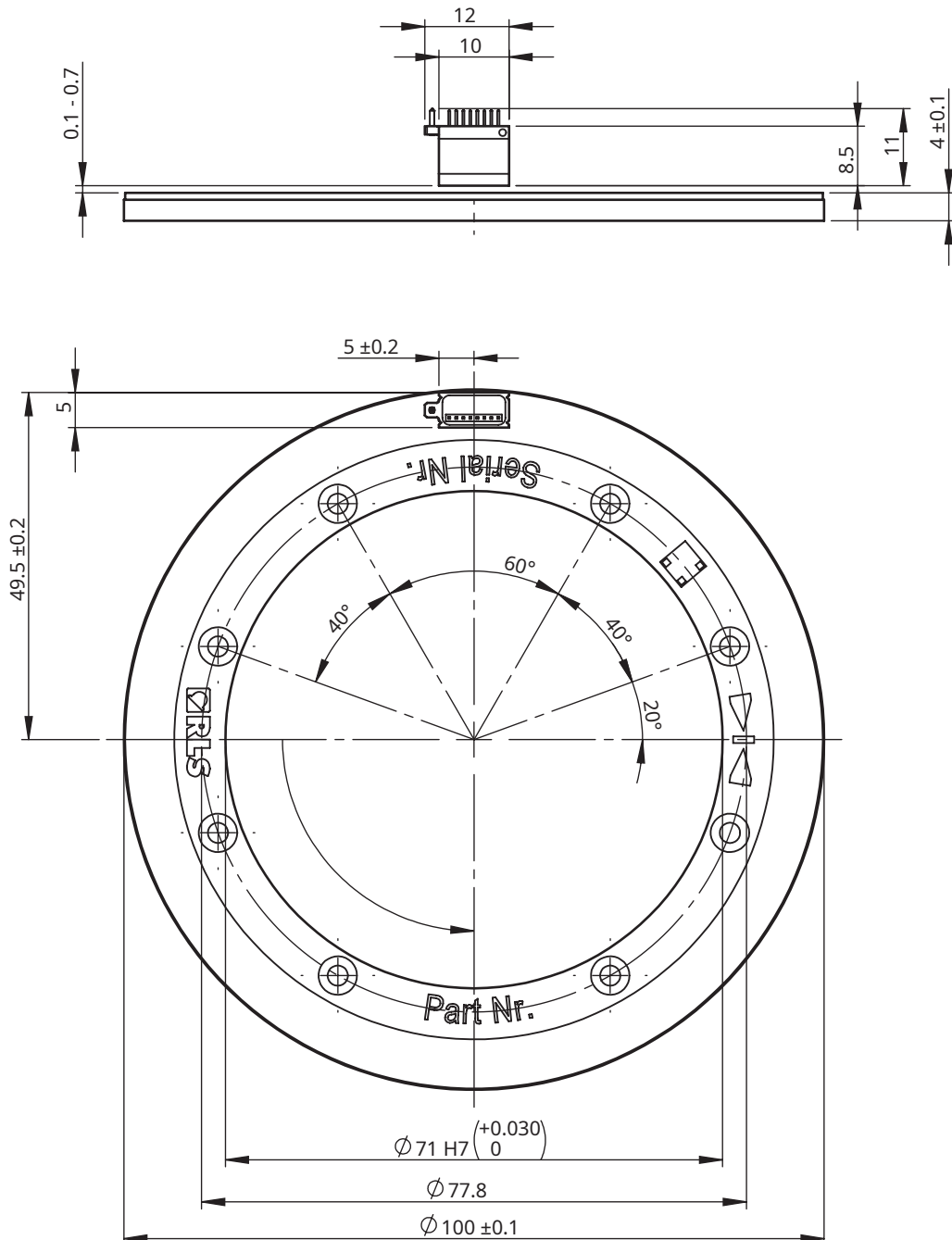
\* For height dimensions see RLC2IC data sheet available at **RLS media center**.

## Dimensions and installation drawings

MR100S

Dimensions and tolerances are in mm. Drawings show the positive direction of rotation of the ring and not the readhead.

### RLM

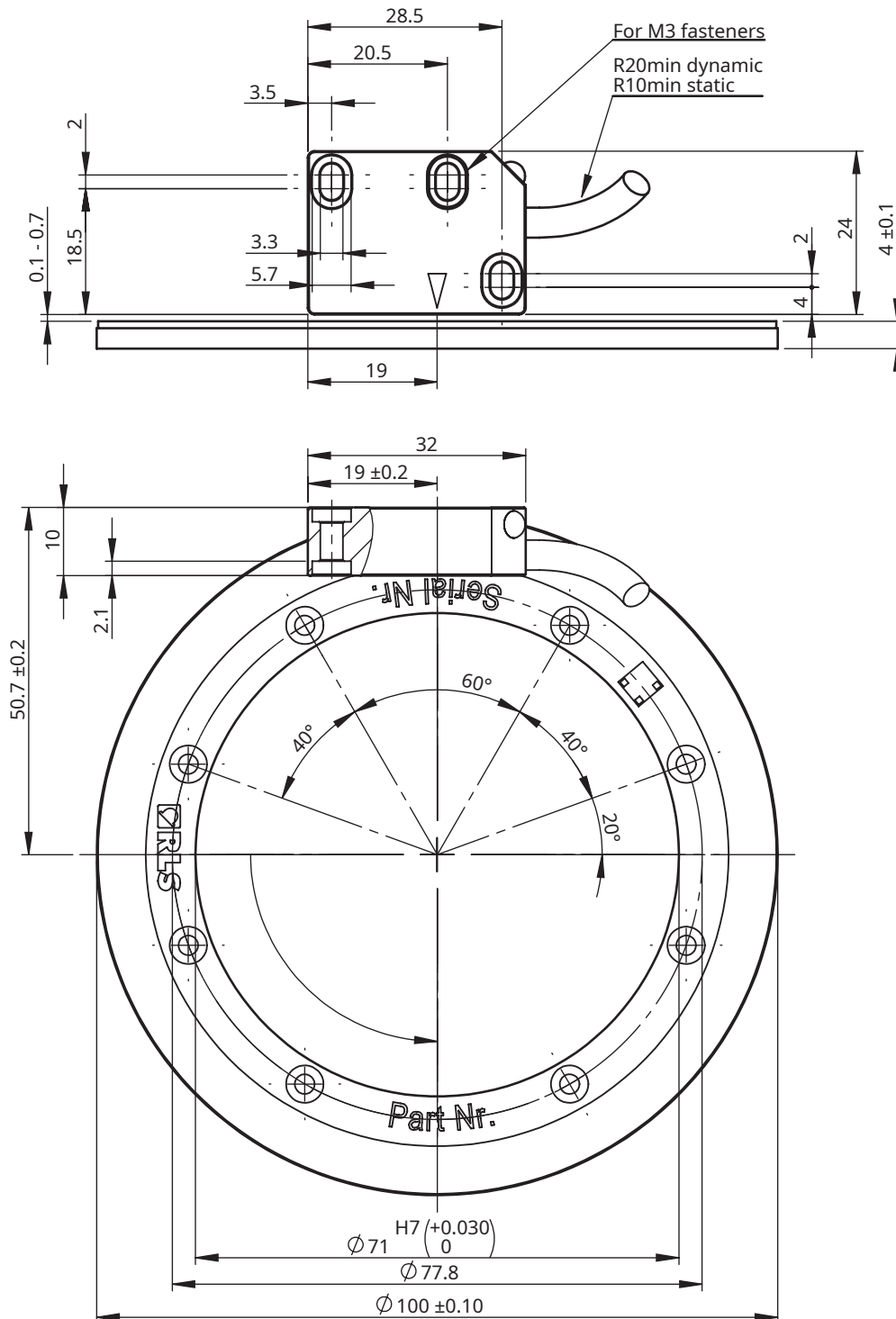


**Dimensions and installation drawings**

**MR100S**

Dimensions and tolerances are in mm. Drawings show the positive direction of rotation of the ring and not the readhead.

**LM10**

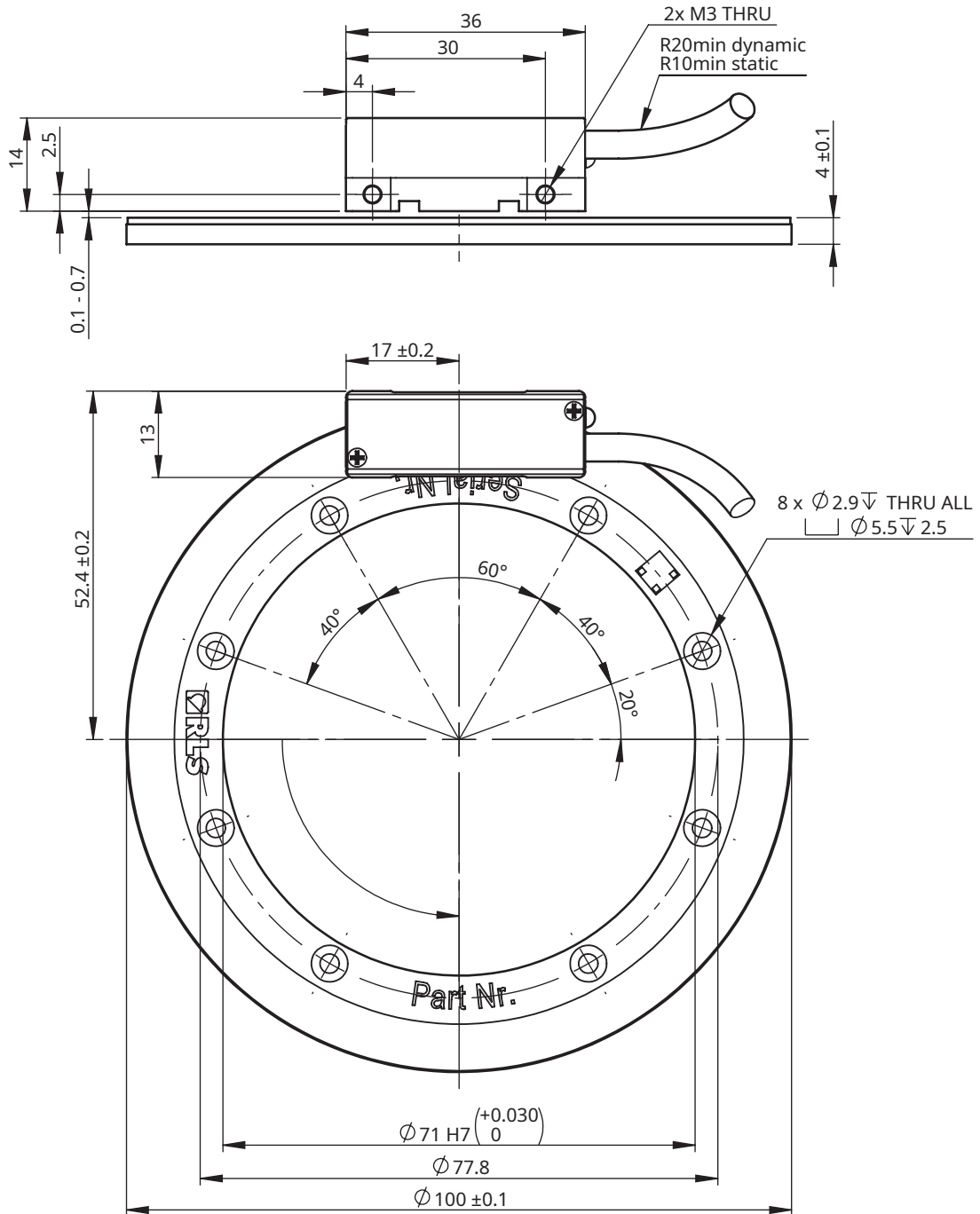


## Dimensions and installation drawings

MR100S

Dimensions and tolerances are in mm. Drawings show the positive direction of rotation of the ring and not the readhead.

### LM13



# Part numbering

	MR	034	C	020	B	048	A	00										
<b>Series</b>	MR - Magnetic incremental ring																	
<b>Outer diameter</b>	<table border="0"> <tr> <td><b>020</b> - 20 mm</td> <td><b>049</b> - 49 mm</td> </tr> <tr> <td><b>024</b> - 24 mm</td> <td><b>050</b> - 50 mm</td> </tr> <tr> <td><b>026</b> - 26 mm</td> <td><b>061</b> - 61 mm</td> </tr> <tr> <td><b>034</b> - 34 mm</td> <td><b>080</b> - 80 mm</td> </tr> <tr> <td><b>045</b> - 45 mm</td> <td><b>100</b> - 100 mm</td> </tr> </table>								<b>020</b> - 20 mm	<b>049</b> - 49 mm	<b>024</b> - 24 mm	<b>050</b> - 50 mm	<b>026</b> - 26 mm	<b>061</b> - 61 mm	<b>034</b> - 34 mm	<b>080</b> - 80 mm	<b>045</b> - 45 mm	<b>100</b> - 100 mm
<b>020</b> - 20 mm	<b>049</b> - 49 mm																	
<b>024</b> - 24 mm	<b>050</b> - 50 mm																	
<b>026</b> - 26 mm	<b>061</b> - 61 mm																	
<b>034</b> - 34 mm	<b>080</b> - 80 mm																	
<b>045</b> - 45 mm	<b>100</b> - 100 mm																	
<b>Cross section</b>	<p>C - Height 2 mm, axial magnetisation</p> <p>N - Height 2 mm, axial magnetisation (installation with fasteners)</p> <p>S - Height 4 mm, axial magnetisation (installation with fasteners)</p>																	
<b>Inner diameter</b>	<table border="0"> <tr> <td><b>012</b> - 12 mm</td> <td><b>028</b> - 28 mm</td> </tr> <tr> <td><b>015</b> - 15 mm</td> <td><b>040</b> - 40 mm</td> </tr> <tr> <td><b>016</b> - 16 mm</td> <td><b>051</b> - 51 mm</td> </tr> <tr> <td><b>020</b> - 20 mm</td> <td><b>055</b> - 55 mm</td> </tr> <tr> <td><b>025</b> - 25 mm</td> <td><b>071</b> - 71 mm</td> </tr> </table>								<b>012</b> - 12 mm	<b>028</b> - 28 mm	<b>015</b> - 15 mm	<b>040</b> - 40 mm	<b>016</b> - 16 mm	<b>051</b> - 51 mm	<b>020</b> - 20 mm	<b>055</b> - 55 mm	<b>025</b> - 25 mm	<b>071</b> - 71 mm
<b>012</b> - 12 mm	<b>028</b> - 28 mm																	
<b>015</b> - 15 mm	<b>040</b> - 40 mm																	
<b>016</b> - 16 mm	<b>051</b> - 51 mm																	
<b>020</b> - 20 mm	<b>055</b> - 55 mm																	
<b>025</b> - 25 mm	<b>071</b> - 71 mm																	
<b>Reference mark</b>	<p>A - With reference mark</p> <p>B - Without reference mark</p>																	
<b>Number of poles</b>	<table border="0"> <tr> <td><b>026</b> - 26 poles</td> <td><b>072</b> - 72 poles</td> </tr> <tr> <td><b>032</b> - 32 poles</td> <td><b>092</b> - 92 poles</td> </tr> <tr> <td><b>036</b> - 36 poles</td> <td><b>122</b> - 122 poles</td> </tr> <tr> <td><b>048</b> - 48 poles</td> <td><b>152</b> - 152 poles</td> </tr> <tr> <td><b>064</b> - 64 poles</td> <td></td> </tr> </table>								<b>026</b> - 26 poles	<b>072</b> - 72 poles	<b>032</b> - 32 poles	<b>092</b> - 92 poles	<b>036</b> - 36 poles	<b>122</b> - 122 poles	<b>048</b> - 48 poles	<b>152</b> - 152 poles	<b>064</b> - 64 poles	
<b>026</b> - 26 poles	<b>072</b> - 72 poles																	
<b>032</b> - 32 poles	<b>092</b> - 92 poles																	
<b>036</b> - 36 poles	<b>122</b> - 122 poles																	
<b>048</b> - 48 poles	<b>152</b> - 152 poles																	
<b>064</b> - 64 poles																		
<b>Material</b>	<p>A - Stainless steel hub with bonded rubber tape (-40 °C to +100 °C)</p> <p>B - Stainless steel hub with vulcanised elasto-ferrite layer (-40 °C to +160 °C)</p>																	
<b>Special requirements</b>	<p>00 - No special requirements</p> <p>02 - With back adhesion tape</p>																	

Not all part number combinations are valid. The inner diameter of rings is related to the outer diameter and cannot be randomly selected. Please refer to the table of available combinations on the next page.

## Table of available combinations

Series	Outer diameter	Cross section	Inner diameter	Reference mark	Number of poles	Material	Special requirements
MR	020	C	012	B	026	A	00 / 02
	024		015		032		
	026		016		036		
	026		012		036		
	034		020		048		
	045		028		064		
	049	N	025	A / B	072	A	00
	050	C	040		092		00 / 02
	061		051		122		
	080	N	055		152		00
	100	S	071				

## Accessories



Magnet viewer  
**MM0001**

## Head office

---

### RLS Merilna tehnika d. o. o.

Poslovna cona Žeje pri Komendi  
Pod vrbami 2  
SI-1218 Komenda  
Slovenia

T +386 1 5272100  
E [mail@rls.si](mailto:mail@rls.si)

[www.rls.si](http://www.rls.si)

## Global support

---

Visit our [website](#) to contact your nearest sales representative.

### Document issues

Issue	Date	Page	Description
04	4. 8. 2021	General	Humidity amended, RLC2IC amended
05	14.3.2023	2	Selection guide table amended
		6	Reference mark engraving note added
		13	RLC2IC installation drawings for MR024C amended
		General	Inner diameter for MR050C amended

This product is not designed or intended for use outside the environmental limitations and operating parameters expressly stated on the product's datasheet. Products are not designed or intended for use in medical, military, aerospace, automotive or oil & gas applications or any safety-critical applications where a failure of the product could cause severe environmental or property damage, personal injury or death. Any use in such applications must be specifically agreed to by seller in writing, and is subject to such additional terms as the seller may impose in its sole discretion. Use of products in such applications is at buyer's own risk, and buyer will indemnify and hold harmless seller and its affiliates against any liability, loss, damage or expense arising from such use. Information contained in this datasheet was derived from product testing under controlled laboratory conditions and data reported thereon is subject to the stated tolerances and variations, or if none are stated, then to tolerances and variations consistent with usual trade practices and testing methods. The product's performance outside of laboratory conditions, including when one or more operating parameters is at its maximum range, may not conform to the product's datasheet. Further, information in the product's datasheet does not reflect the performance of the product in any application, end-use or operating environment buyer or its customer may put the product to. Seller and its affiliates make no recommendation, warranty or representation as to the suitability of the product for buyer's application, use, end-product, process or combination with any other product or as to any results buyer or its customer might obtain in their use of the product. Buyer should use its own knowledge, judgment, expertise and testing in selecting the product for buyer's application, end-use and/or operating environment, and should not rely on any oral or written statement, representation, or samples made by seller or its affiliates for any purpose. EXCEPT FOR THE WARRANTIES EXPRESSLY SET FORTH IN THE SELLER'S TERMS AND CONDITIONS OF SALE, SELLER MAKES NO WARRANTY EXPRESS OR IMPLIED WITH RESPECT TO THE PRODUCT, INCLUDING ANY WARRANTY OF MERCHANTABILITY OR FITNESS FOR ANY PARTICULAR PURPOSE, WHICH ARE DISCLAIMED AND EXCLUDED. All sales are subject to seller's exclusive terms and conditions of sale which, where the seller is (a) RLS Merilna tehnika d. o. o., are available at <https://www.rls.si/eng/salesterms>, (b) Renishaw, Inc., are available at <https://www.renishaw.com/legal/en/-42186>, or (c) another person, are available on request, and in each case, are incorporated herein by reference, and are the exclusive terms of sale. No other terms and conditions apply. Buyer is not authorized to make any statements or representations that expand upon or extend the environmental limitations and operating parameters of the products, or which imply permitted usage outside of that expressly stated on the datasheet or agreed to in writing by seller.

RLS Merilna tehnika d. o. o. has made considerable effort to ensure the content of this document is correct at the date of publication but makes no warranties or representations regarding the content. RLS Merilna tehnika d. o. o. excludes liability, howsoever arising, for any inaccuracies in this document. © 2023 RLS d. o. o.